

Ensamblada

1 and 2 Leaf Door

STRUCTURE

Two 0.5mm galvanized steel sheets assembled without welding (A).

Leaf thickness: 38mm.

Inner chamber: polyurethane injected at high pressure (B).

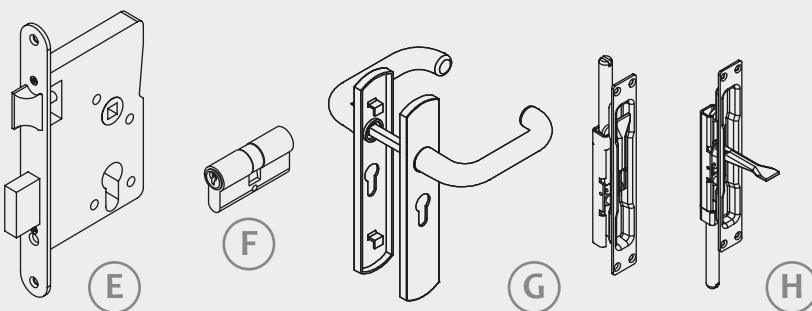
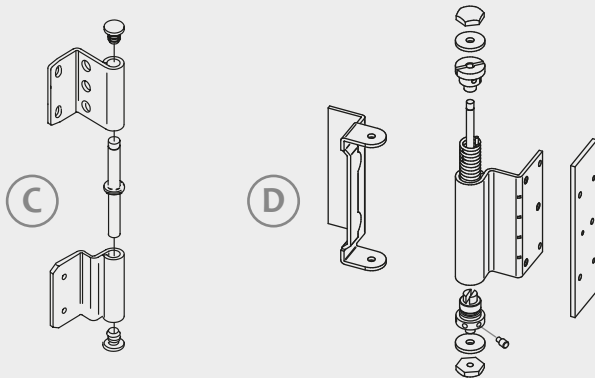
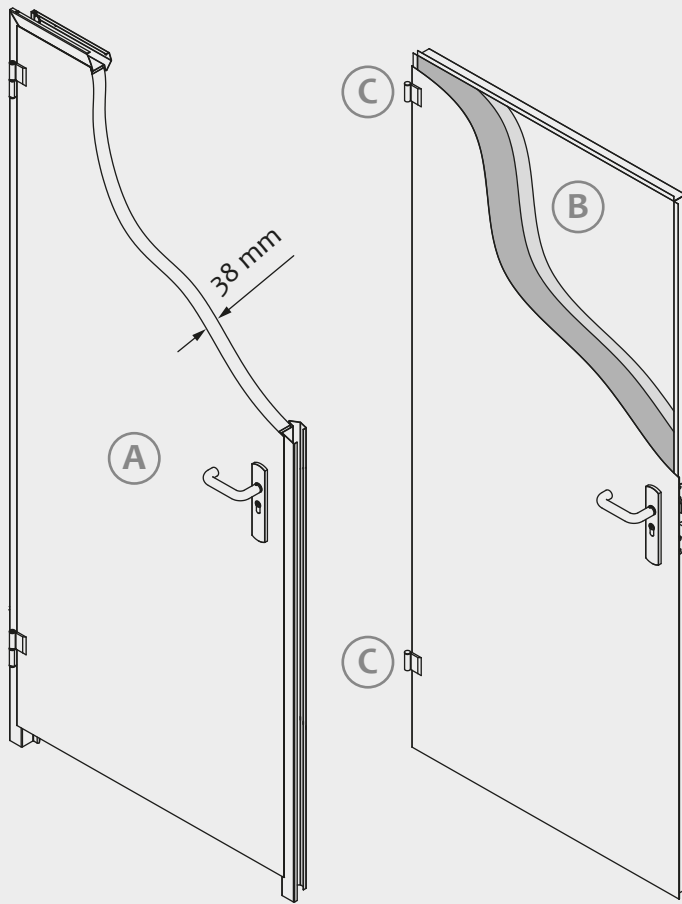
2 hinges at least, of galvanized steel in 2 different models:

- Ensamblada Model (C).
- Optionally you can choose: Model RF (D).

FRAME

CS4 corner frame.

C70 wrapping frame.



LOCKING AND DRIVING SYSTEM

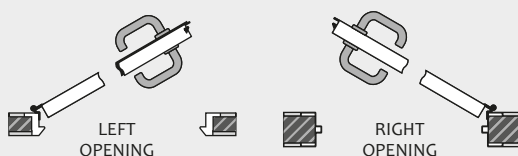
Steel lock embedded in the sheet (E).

Brass cylinder 30x30 (F).

Set shield + handle with black nylon escutcheon (G).

In the double leaf ensamblada model, 2 embedded bolts are placed on the edge of the leaf as the drive in the inactive leaf (H).

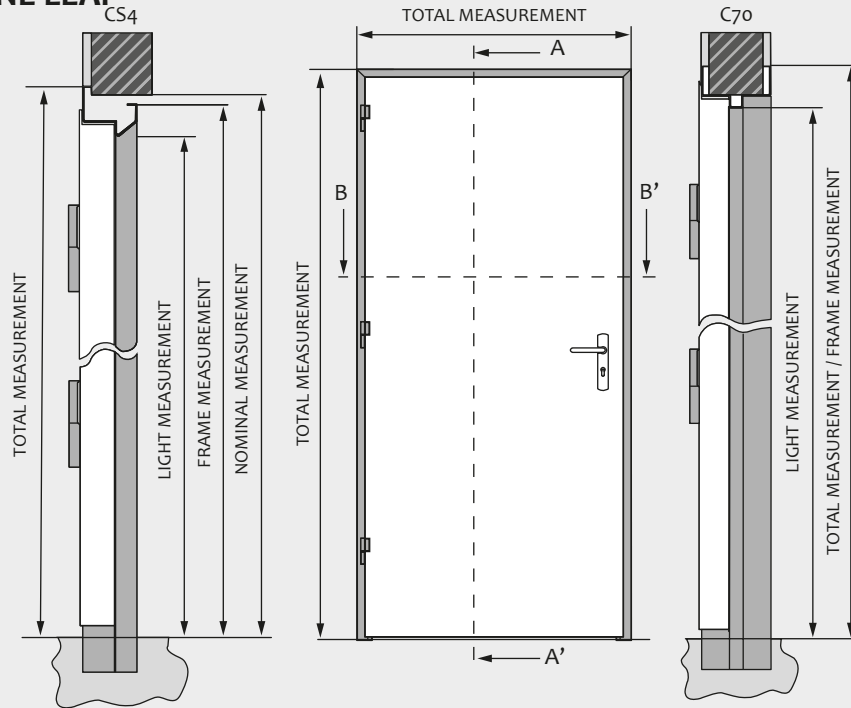
One Leaf Ensamblada



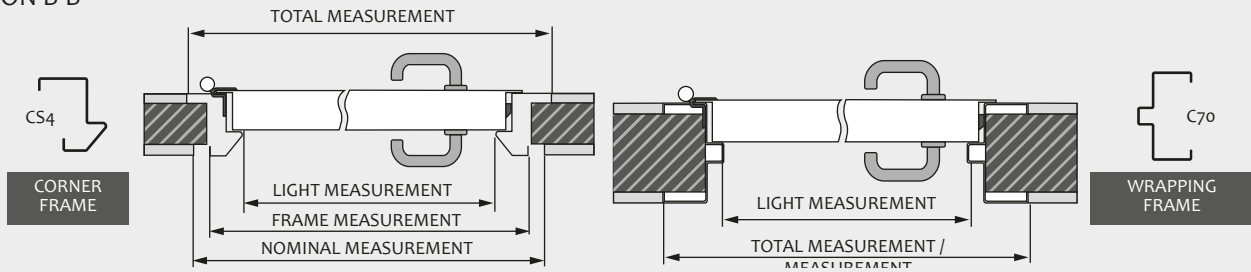
OPENING SENSES

MEASUREMENTS ONE LEAF

SECTION A-A'



SECTION B-B'

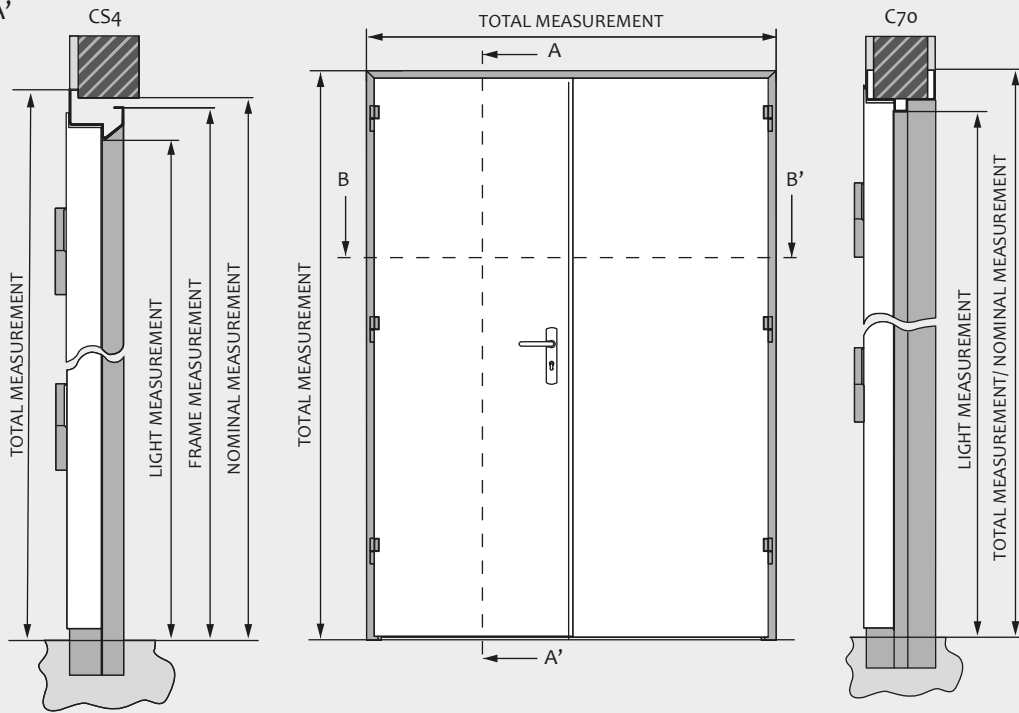


Model		Nominal Measurement		Light Measurement		Frame Measurement		Total Measurement	
		Width	Height	Width	Height	Width	Height	Width	Height
CS4 frame									
E 690 x	1990	690	1990	600	1945	670	1980	710	2000
	2090		2090		2045		2080		2100
E 790 x	1490	790	1490	700	1445	770	1480	810	1500
	1790		1790		1745		1780		1800
	1990		1990		1945		1980		2000
	2090		2090		2045		2080		2100
E 890 x	1990	890	1990	800	1945	870	1980	910	2000
	2090		2090		2045		2080		2100
E 990 x	1990	990	1990	900	1945	970	1980	1010	2000
	2090		2090		2045		2080		2100
E 1090 x	1990	1090	1990	1000	1945	1070	1980	1110	2000
	2090		2090		2045		2080		2100
E 1190 x	1990	1190	1990	1100	1945	1170	1980	1210	2000
	2090		2090		2045		2080		2100
C70 frame									
E 710 x	2000	710	2000	600	1945	710	2000	710	2000
	2100		2100		2045		2100		2100
E 810 x	1500	810	1500	700	1445	810	1500	810	1500
	1800		1800		1745		1800		1800
	2000		2000		1945		2000		2000
	2100		2100		2045		2100		2100
E 910 x	2000	910	2000	800	1945	910	2000	910	2000
	2100		2100		2045		2100		2100
E 1010 x	2000	1010	2000	900	1945	1010	2000	1010	2000
	2100		2100		2045		2100		2100
E 1110 x	2000	1110	2000	1000	1945	1110	2000	1110	2000
	2100		2100		2045		2100		2100
E 1210 x	2000	1210	2000	1100	1945	1210	2000	1210	2000
	2100		2100		2045		2100		2100

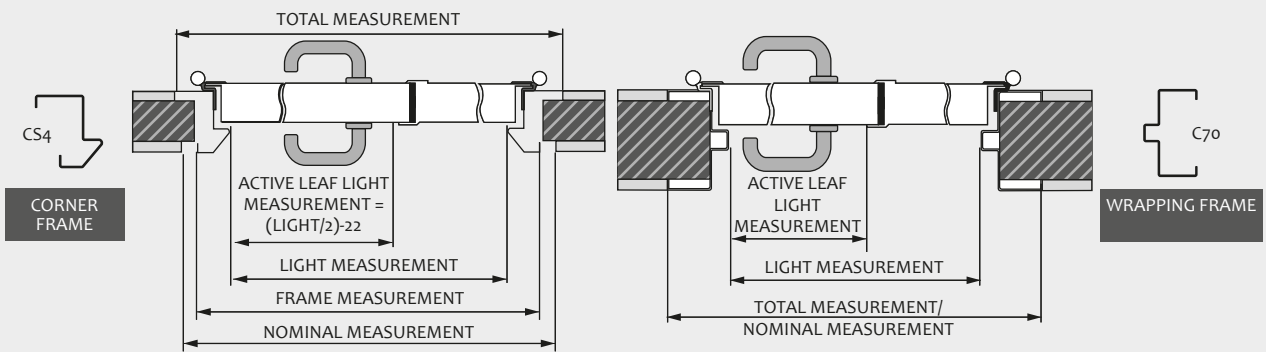
Standard measurements in millimeters. Possibility of other measurements on request.

MEASUREMENTS DOUBLE LEAF

SECTION A-A'



SECTION B-B'



Model		Nominal Measurement		Light Measurement		Frame Measurement		Total Measurement	
		Width	Height	Width	Height	Width	Height	Width	Height
CS4 frame									
DHE 1530 x	1990	1530	1990	1440	1945	1510	1980	1550	2000
	2090		2090		2045		2080		2100
DHE 1730 x	1990	1730	1990	1640	1945	1710	1980	1750	2000
	2090		2090		2045		2080		2100
DHE 1930 x	1990	1930	1990	1840	1945	1910	1980	1950	2000
	2090		2090		2045		2080		2100
C70 frame									
DHE 1550 x	2000	1550	2000	1440	1945	1550	2000	1550	2000
	2100		2100		2045		2100		2100
DHE 1750 x	2000	1750	2000	1640	1945	1750	2000	1750	2000
	2100		2100		2045		2100		2100
DHE 1950 x	2000	1950	2000	1840	1945	1950	2000	1950	2000
	2100		2100		2045		2100		2100

Standard measurements in millimeters. Possibility of other measurements on request.

FIXED

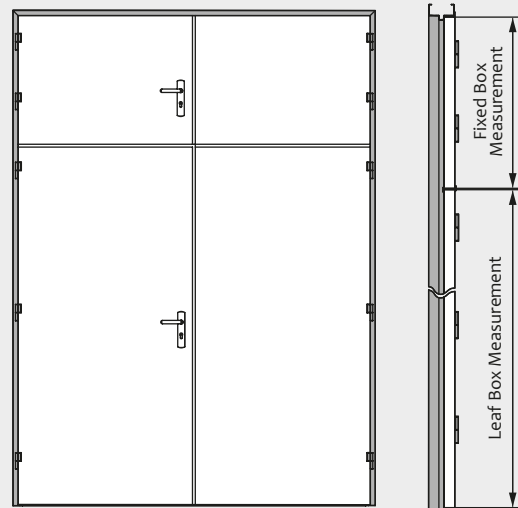
It is a special solution that Andreu offers to adapt doors to the spaces required in the works, ideal for especially large holes or as an aesthetic complement.

It has the same structure as the door.

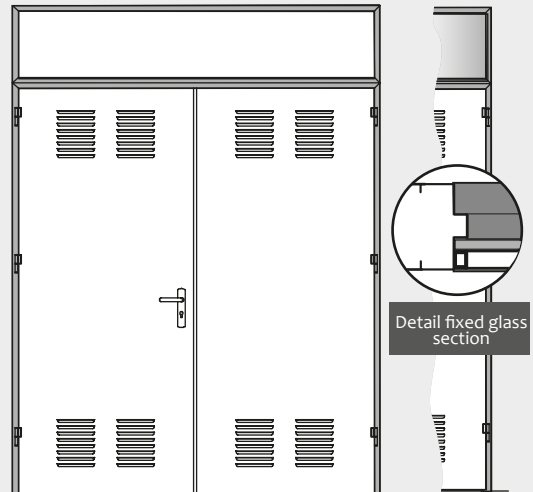
Manufacturing options:

- Fixed side/ folding top.
- Fixed side/ top with intermediate frame or glass panel.
- Fixed side/ top without intermediate frame.

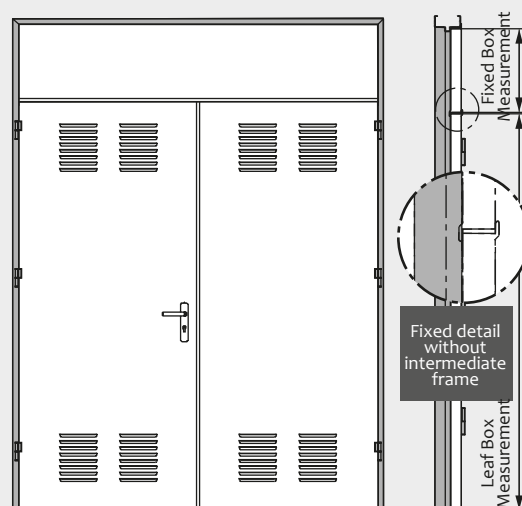
FIXED FOLDING TOP

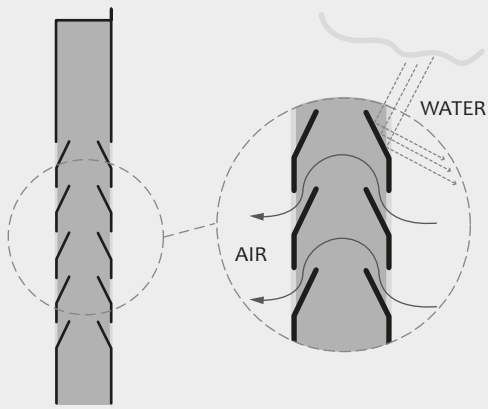


TOP FIXED WITH INTERMEDIATE FRAME



TOP FIXED WITHOUT INTERMEDIATE FRAME

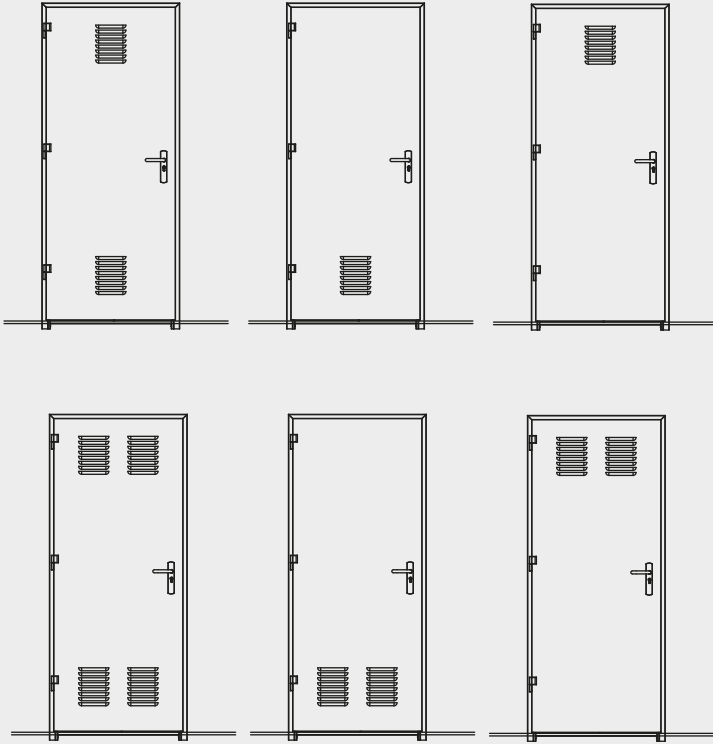




VENTILATION

The Ensamblada door can present a few drawings that allow the ventilation of the enclosures. These drawings do not allow the passage of water but it does allow the passage of air.

It can be placed in different provisions of the leaf: top, bottom, single or double.



INCLINATION

The Ensamblada doors can fit any need or space, with the option to manufacturing them with a tilt or semi-tilt (A).

