

Delta

Fire Door EI₂ 60



Galvanised



Pre-lacquered BL-Andreu



Pre-lacquered GR-Andreu



PVC Film Chestnut



PVC Film Old Oak



Powder coated





Delta

1 Leaf Door

El₂ 60

STRUCTURE

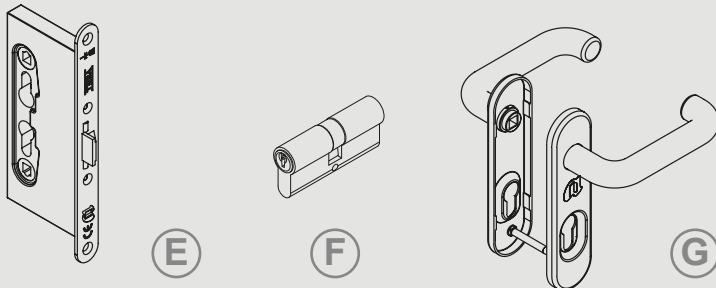
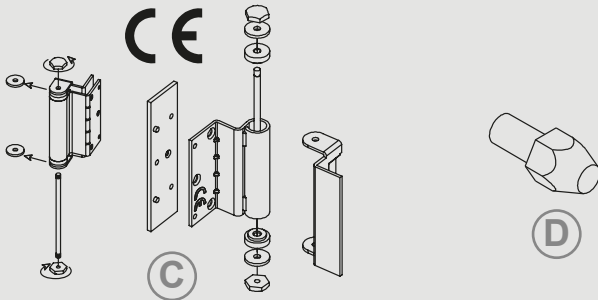
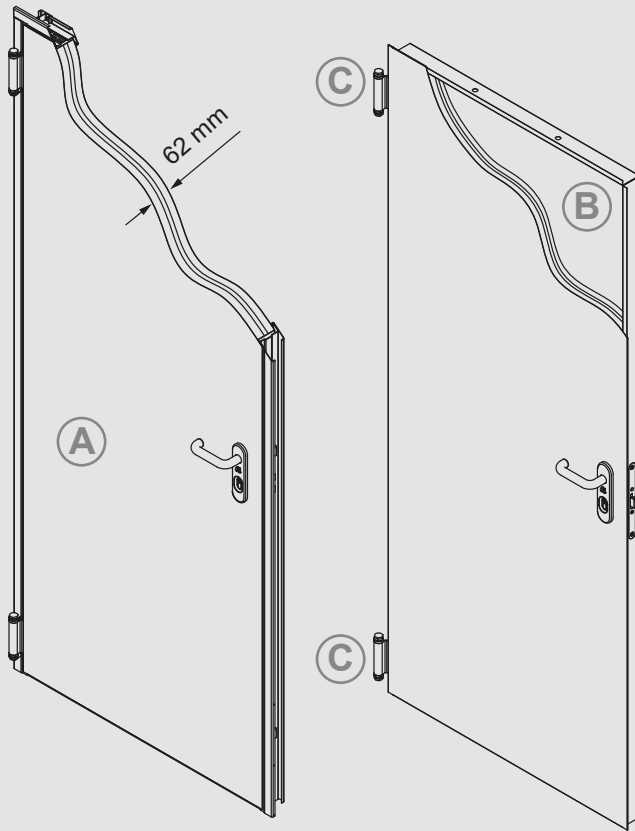
Two 0.6mm thick sheets of galvanized steel assembled without welding (A).

Leaf thickness: 62mm.

Inner chamber: combination of fire and thermal insulation materials (B).

2 double galvanized steel blade hinges with CE marking (C).

An anti-crowbar bolt (D).



FRAME

CS5 corner frame.

Incorporate: Intumescent seal.

Optionally:

- Rubber seal.

LOCKING AND DRIVING SYSTEM

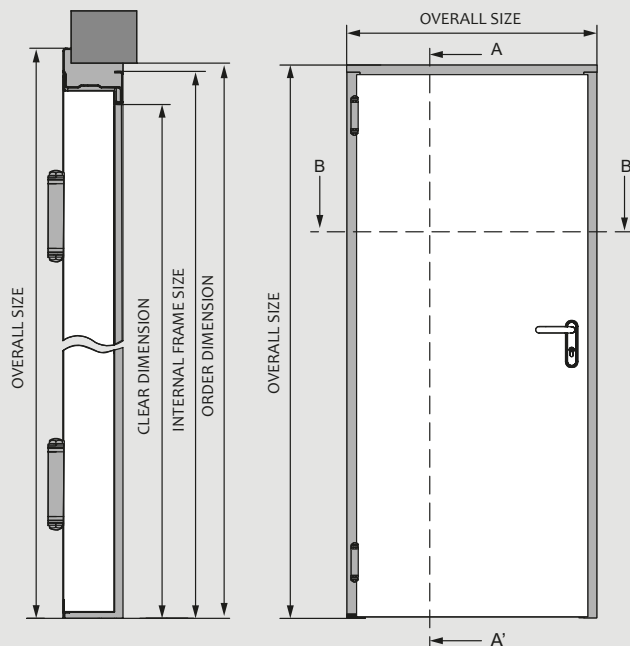
Reversible lock with CE marking with galvanized steel case and zinc-coated front, embedded in the leaf, with a 1-point lock (E).

Brass cylinder 35x35 (F).

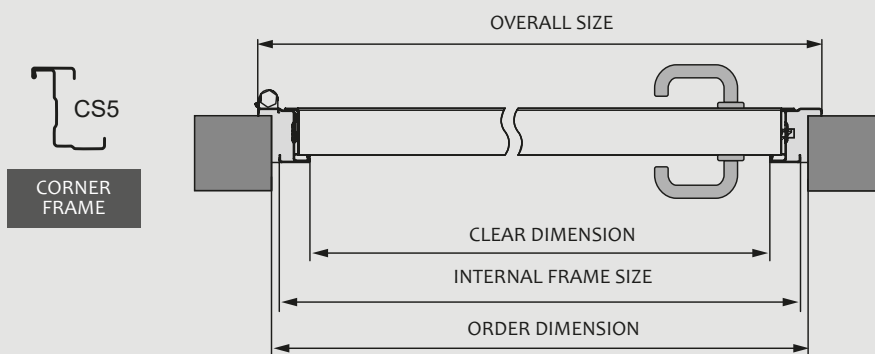
Set shield + handle with black nylon escutcheon (G).

MEASUREMENTS ONE LEAF

SECTION A-A'



SECTION B-B'



Frame	Order Size		Clear Opening		Internal Frame		Overall (Ext. Frame)	
	Width	Height	Width	Height	Width	Height	Width	Height
CS5	800	2050	700	2000	780	2040	836	2068
	800	2100	700	2050	780	2090	836	2118
	800	2150	700	2100	780	2140	836	2168
	900	2050	800	2000	880	2040	936	2068
	900	2100	800	2050	880	2090	936	2118
	900	2150	800	2100	880	2140	936	2168
	1000	2050	900	2000	980	2040	1036	2068
	1000	2100	900	2050	980	2090	1036	2118
	1000	2150	900	2100	980	2140	1036	2168

Standard measurements in millimeters