

# Fono-Turia

Fire Door. Acoustic EI<sub>2</sub> 60-90 36 dB & EI<sub>2</sub> 120 39 dB



Galvanised



Pre-lacquered BL-Andreu



Stainless steel AISI 430 / 304 / 316



Powder coated





Leaf Type	Fire Resistance	Acoustic Isolation
60S	60	36 dB
90A	90	36 dB
120A	120	39 dB



# Fono-Turia

## 1 Leaf Door. Acoustic

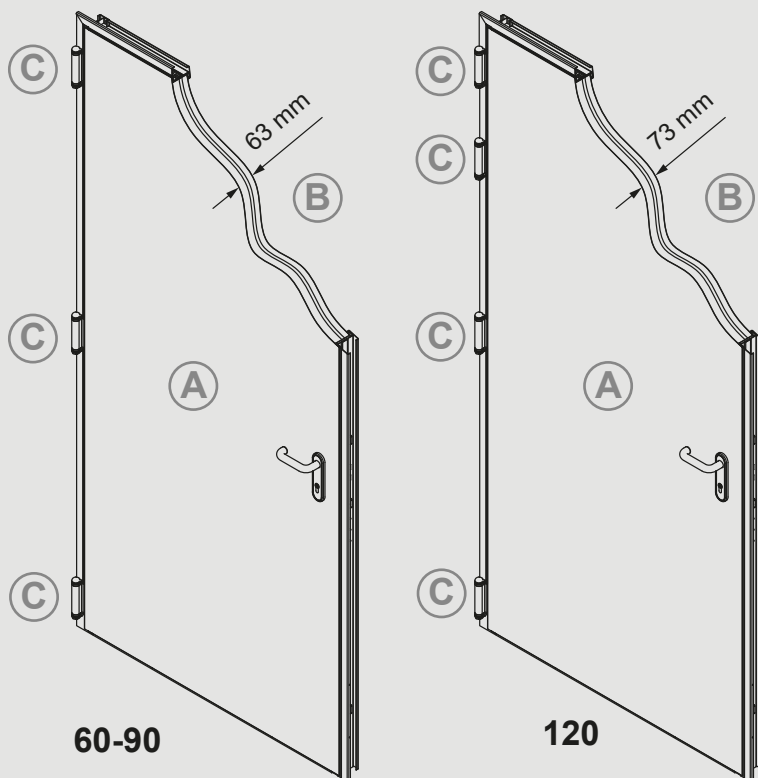
### El<sub>2</sub> 60-90-120

#### STRUCTURE

Two galvanized steel plates with an 0.8mm in the case of 60-90 assembled without welding, and a 1mm additional plate in the case of the 120 (A).

Sheet thickness: 63mm in 60-90. Sheet thickness: 73mm in 120. It has a 10mm double case that gives it this thickness. Inner chamber: combination of fire and thermal insulation materials (B).

3 double galvanized steel blade hinges with CE marking in that of 60-90 (C) and 4 in that of 120.



Leaf type	Fire resistance	Acoustic Insulation
60S	60	36 dB
90A	90	36 dB
120A	120	39 dB

#### ACOUSTIC INSULATION

36 dB or 39 dB.

Incorporates:

- EPDM rubber seal adhered to the base of the leaf (D).
- Metallic base on the floor (E).

#### FRAME

CS5 corner frame.

Incorporates:

- Rubber seal (F).
- Intumescent seal (G).

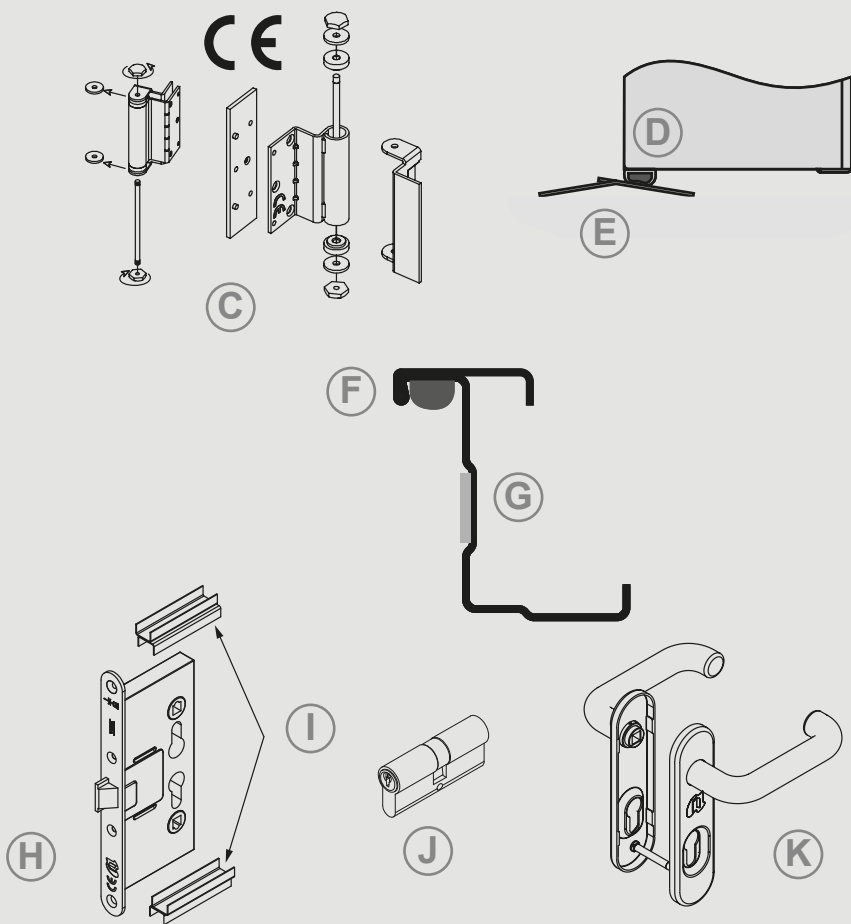
#### LOCKING AND DRIVING SYSTEM

CE marking reversible lock with stainless steel case and zinc-coated front, embedded in the sheet, with a one-point lock (H).

This lock includes a reinforcement in H (I).

Brass cylinder 35x35 in El<sub>2</sub> 60 and 90, brass cylinder 35x45 in El<sub>2</sub> 120 (J).

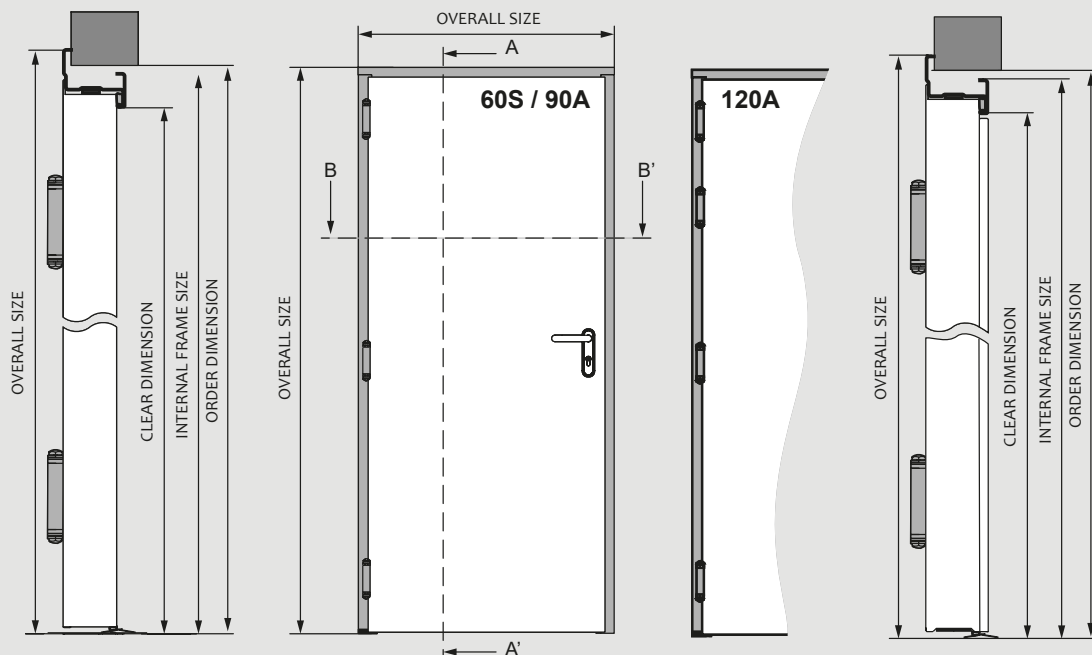
Set shield + handle with escutcheon (K).



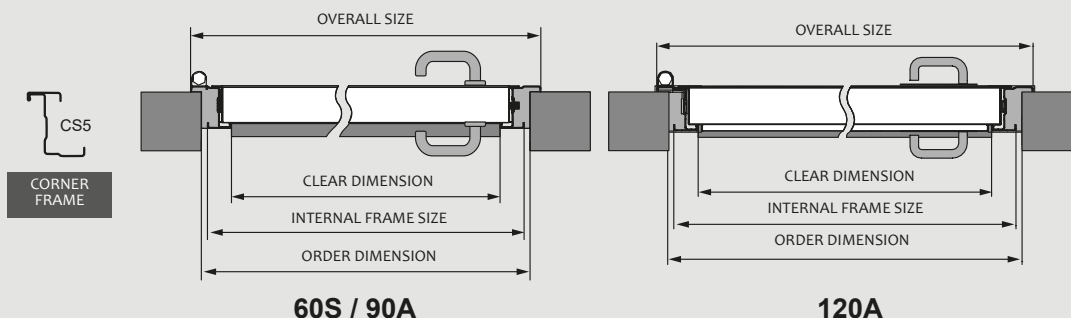


# MEASUREMENTS ONE LEAF

## SECTION A-A'



## SECTION B-B'



Frame	Order Size		Clear Opening		Internal Frame		Overall (Ext. Frame)	
	Width	Height	Width	Height	Width	Height	Width	Height
CS5	900	2050	800	2000	880	2040	936	2068
	900	2100	800	2050	880	2090	936	2118
	900	2150	800	2100	880	2140	936	2168
	1000	2050	900	2000	980	2040	1036	2068
	1000	2100	900	2050	980	2090	1036	2118
	1000	2150	900	2100	980	2140	1036	2168
	1100	2050	1000	2000	1080	2040	1136	2068
	1100	2100	1000	2050	1080	2090	1136	2118
	1100	2150	1000	2100	1080	2140	1136	2168
	1200	2050	1100	2000	1180	2040	1236	2068
	1200	2100	1100	2050	1180	2090	1236	2118
	1200	2150	1100	2100	1180	2140	1236	2168

Standard measurements in millimeters. Possibility of other measurements on request.