



Galvanised



Pre-lacquered BL-Andreu



Pre-lacquered GR-Andreu



PVC Film Chestnut



PVC Film Old Oak



Powder coated





Neo

1 and 2 Leaf Door

STRUCTURE

Two 0.6mm thick galvanized steel plates, assembled without welding (A) and 0.8mm in double leaf.

Leaf thickness: 63mm.

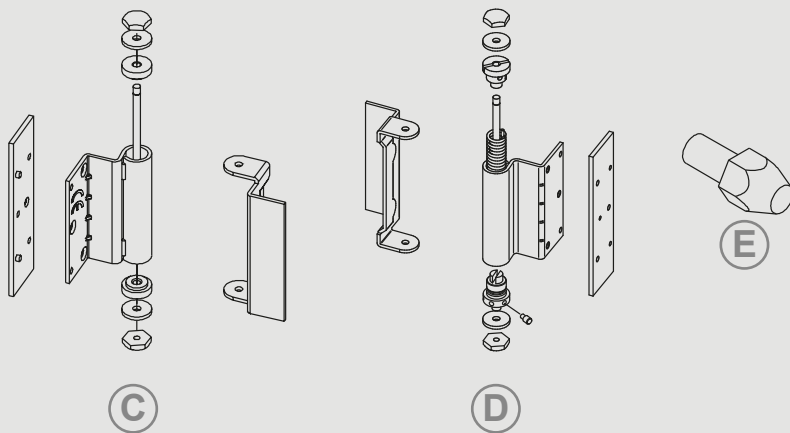
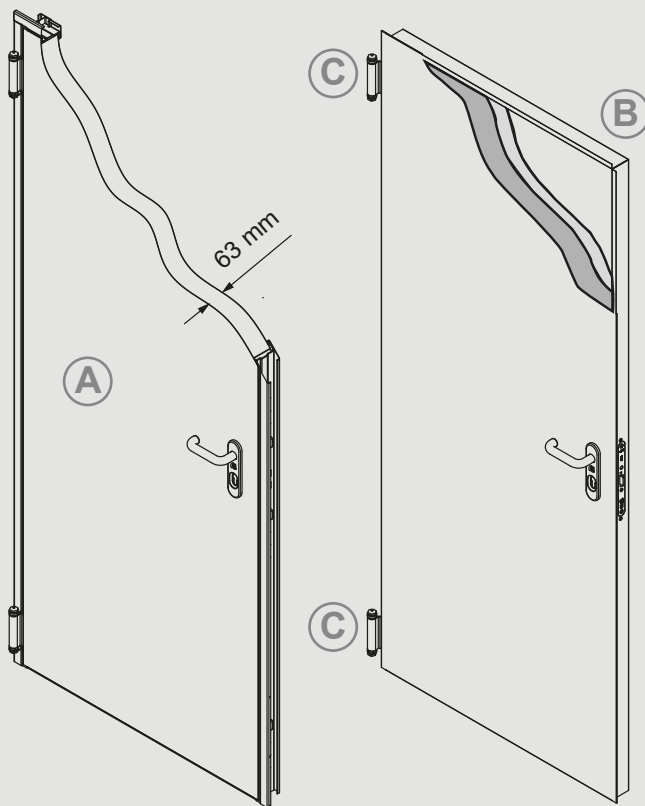
Inner chamber: high density insulation material (B).

2 double galvanized steel blade hinges (C).

Optionally you can choose: hinge model RF (D).

An anti-crow bar bolt (E).

Optional: installation of the **COBO System**, combination of hidden hinge and/or hidden door closer.



FRAME

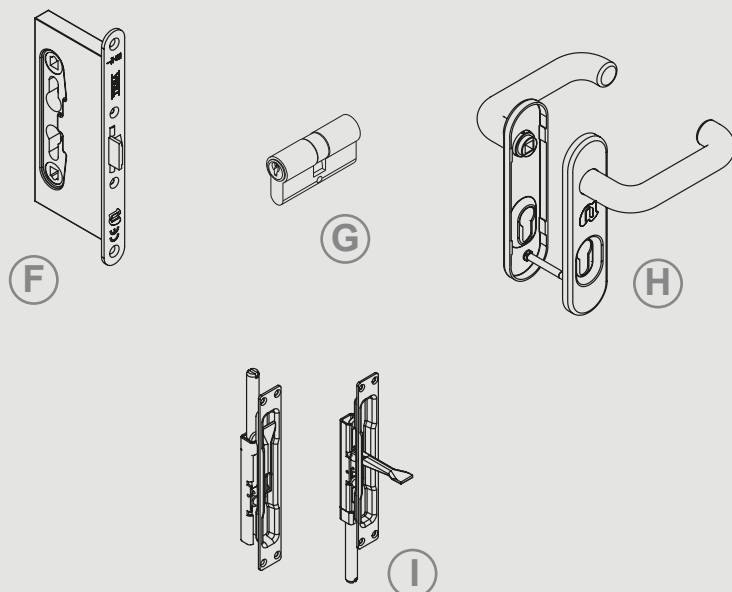
CS5 corner frame.

LOCKING AND DRIVING SYSTEM

Reversible lock with CE marking, steel case and zinc-coated front, embedded in the sheet, with a 1-point lock (F).

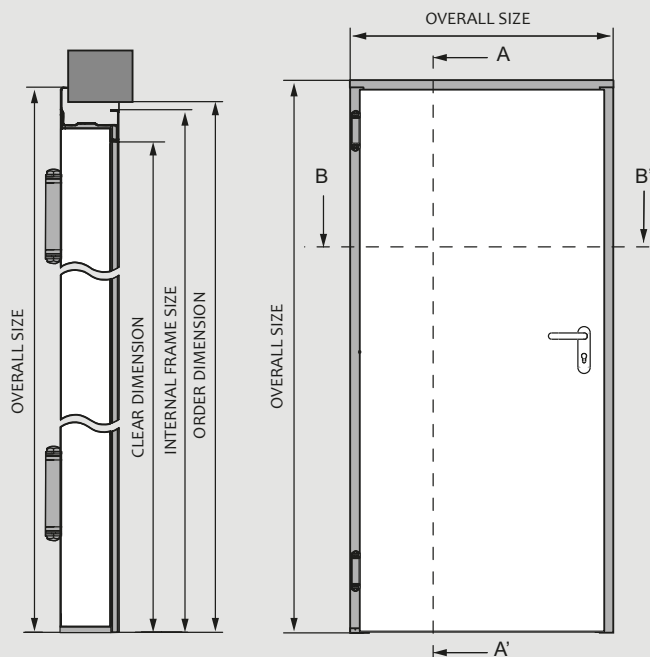
Brass cylinder 35x35 (G).

Set shield + handle with black nylon escutcheon (H). 2 bolts are placed in the double leaf model Neo, embedded in the edge of the leaf, as the inactive leaf drive (I).

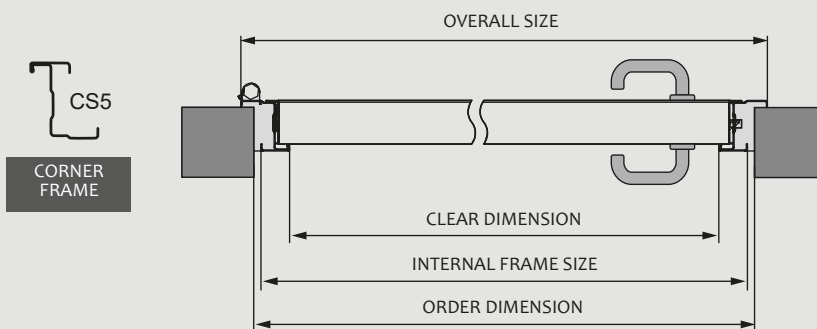


MEASUREMENTS ONE LEAF

SECTION A-A'



SECTION B-B'

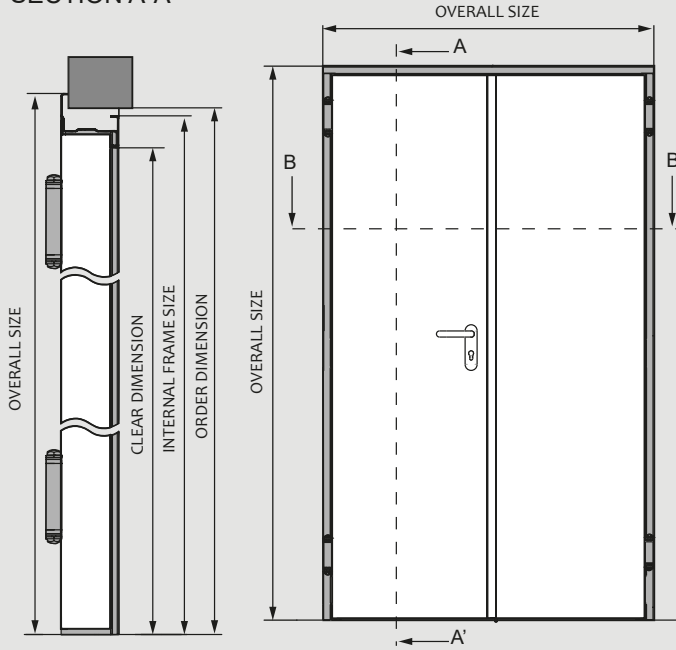


Frame	Order Size		Clear Opening		Internal Frame		Overall (Ext. Frame)	
	Width	Height	Width	Height	Width	Height	Width	Height
CS5	800	2050	700	2000	780	2040	836	2068
	800	2100	700	2050	780	2090	836	2118
	800	2150	700	2100	780	2140	836	2168
	900	2050	800	2000	880	2040	936	2068
	900	2100	800	2050	880	2090	936	2118
	900	2150	800	2100	880	2140	936	2168
	1000	2050	900	2000	980	2040	1036	2068
	1000	2100	900	2050	980	2090	1036	2118
	1000	2150	900	2100	980	2140	1036	2168
	1100	2050	1000	2000	1080	2040	1136	2068
	1100	2100	1000	2050	1080	2090	1136	2118
	1100	2150	1000	2100	1080	2140	1136	2168
1200	2050	1100	2000	1180	2040	1236	2068	
1200	2100	1100	2050	1180	2090	1236	2118	
1200	2150	1100	2100	1180	2140	1236	2168	

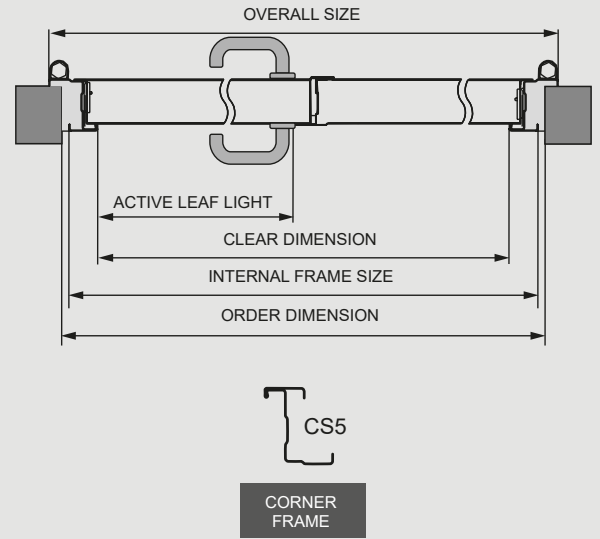
Standard measurements in millimeters. Possibility of other measurements on request.

MEASUREMENTS DOUBLE LEAF

SECTION A-A'



SECTION B-B'



Frame	Order Size		Clear Opening		Internal Frame		Overall (Ext. Frame)	
	Width	Height	Width	Height	Width	Height	Width	Height
CS5	1200	2050	1100	2000	1180	2040	1236	2068
	1200	2100	1100	2050	1180	2090	1236	2118
	1200	2150	1100	2100	1180	2140	1236	2168
	1300	2050	1200	2000	1280	2040	1336	2068
	1300	2100	1200	2050	1280	2090	1336	2118
	1300	2150	1200	2100	1280	2140	1336	2168
	1400	2050	1300	2000	1380	2040	1436	2068
	1400	2100	1300	2050	1380	2090	1436	2118
	1400	2150	1300	2100	1380	2140	1436	2168
	1500	2050	1400	2000	1480	2040	1536	2068
	1500	2100	1400	2050	1480	2090	1536	2118
	1500	2150	1400	2100	1480	2140	1536	2168
	1600	2050	1500	2000	1580	2040	1636	2068
	1600	2100	1500	2050	1580	2090	1636	2118
	1600	2150	1500	2100	1580	2140	1636	2168
	1700	2050	1600	2000	1680	2040	1736	2068
	1700	2100	1600	2050	1680	2090	1736	2118
	1700	2150	1600	2100	1680	2140	1736	2168
	1800	2050	1700	2000	1780	2040	1836	2068
	1800	2100	1700	2050	1780	2090	1836	2118
	1800	2150	1700	2100	1780	2140	1836	2168
	1900	2050	1800	2000	1880	2040	1936	2068
	1900	2100	1800	2050	1880	2090	1936	2118
	1900	2150	1800	2100	1880	2140	1936	2168
2000	2050	1900	2000	1980	2040	2036	2068	
2000	2100	1900	2050	1980	2090	2036	2118	
2000	2150	1900	2100	1980	2140	2036	2168	
2100	2050	2000	2000	2080	2040	2136	2068	
2100	2100	2000	2050	2080	2090	2136	2118	
2100	2150	2000	2100	2080	2140	2136	2168	
2200	2050	2100	2000	2180	2040	2236	2068	
2200	2100	2100	2050	2180	2090	2236	2118	
2200	2150	2100	2100	2180	2140	2236	2168	

Standard measurements in millimeters. Possibility of other measurements on request.



