

# Office Swing



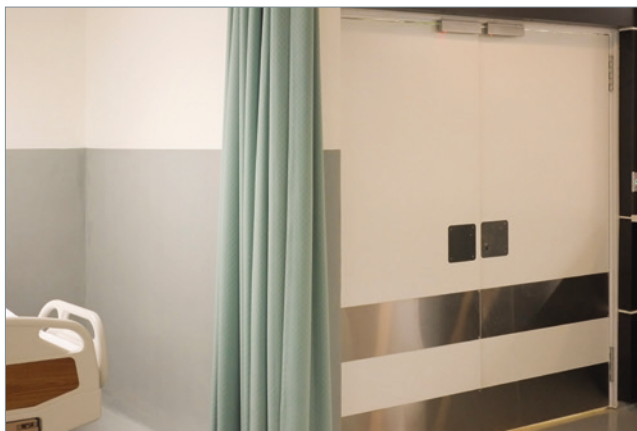
Pre-lacquered BL-Andreu

Pre-lacquered GR-Andreu

Stainless steel AISI 430 / 304 / 316

Powder coated





# Office Swing

## 1 and 2 Leaf Door

### STRUCTURE

Two 0.6mm thick galvanized steel plates, assembled without welding (A).

Leaf thickness: 38mm.

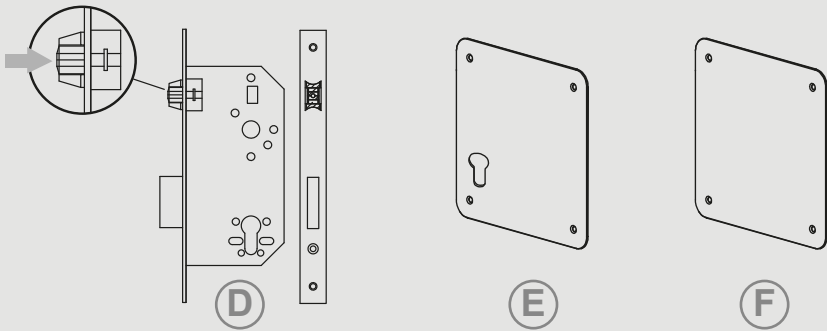
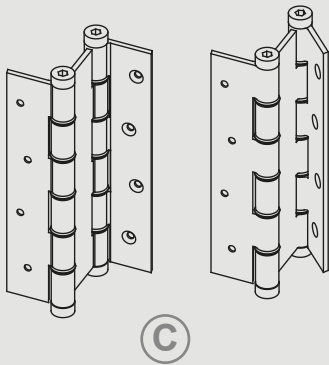
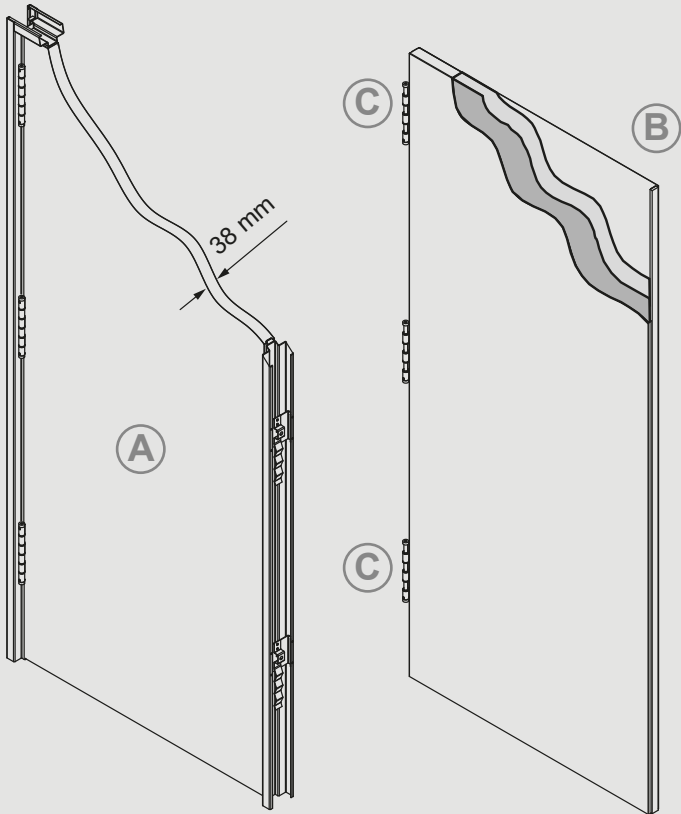
Inner chamber: high density insulation material (B).

3 double-action silver aluminum or stainless steel hinges (C).

### FRAME

CSV corner frame.

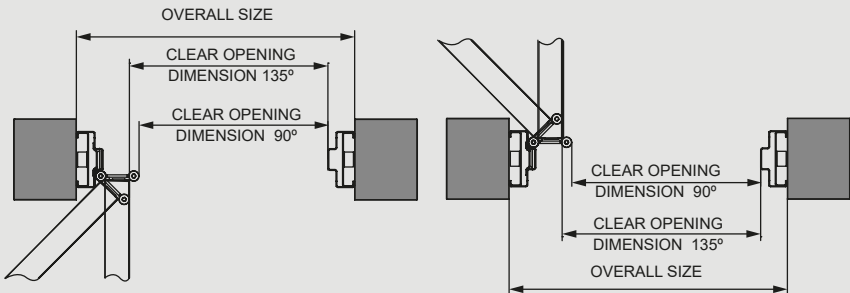
C7V non-corner frame.



### LOCKING AND DRIVING SYSTEM

It does not incorporate a lock as it is a free passage door.

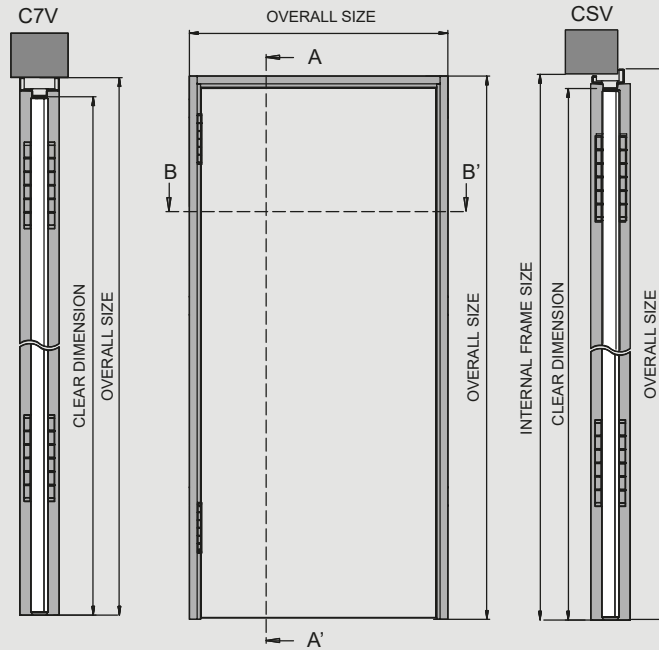
Optional: barrel lock with or without escutcheon (D), and/or square plate with keyhole (E) or plain (F).



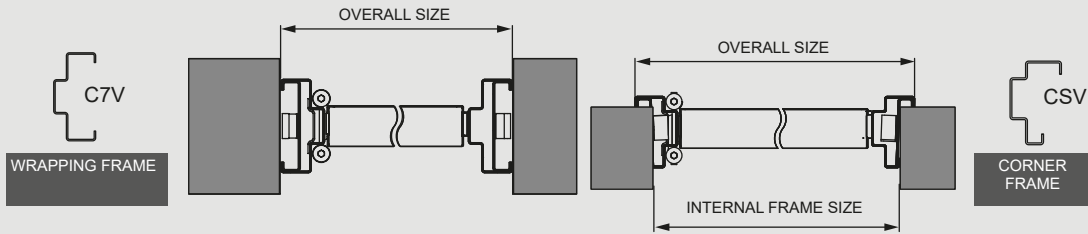
### OPENINGS

# MEASUREMENTS ONE LEAF

## SECTION A-A'



## SECTION B-B'

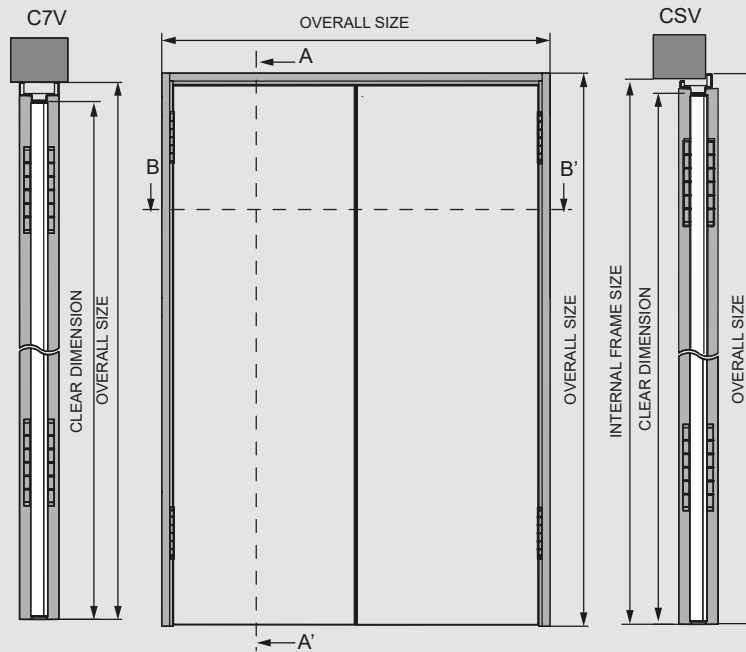


Frame	Order Size		Clear Opening		Internal Frame		Overall (Ext. Frame)	
	Width	Height	Width	Height	Width	Height	Width	Height
C7V	950	2100	800	2057	950	2100	950	2100
	1050	2100	900	2057	1050	2100	1050	2100
	1150	2100	1000	2057	1150	2100	1150	2100
CSV	940	2095	800	2057	920	2085	950	2100
	1040	2095	900	2057	1020	2085	1050	2100
	1140	2095	1000	2057	1120	2085	1150	2100

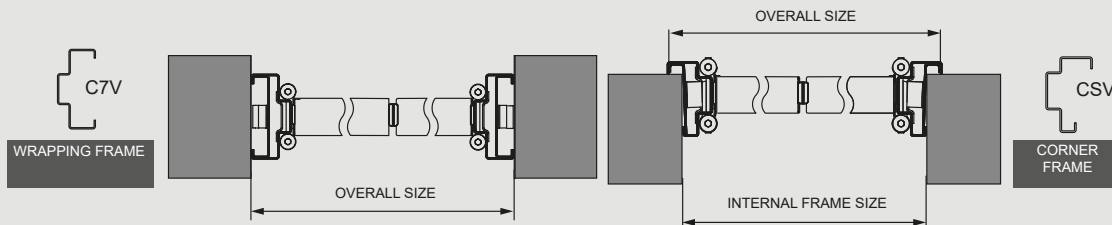
Standard measurements in millimeters. Possibility of other measurements on request.

# MEASUREMENTS DOUBLE LEAF

## SECTION A-A'



## SECTION B-B'



Frame	Order Size		Clear Opening		Internal Frame		Overall (Ext. Frame)	
	Width	Height	Width	Height	Width	Height	Width	Height
C7V	1750	2100	1600	2057	1750	2100	1750	2100
	1950	2100	1800	2057	1950	2100	1950	2100
	2150	2100	2000	2057	2150	2100	2150	2100
CSV	1740	2095	1600	2057	1720	2085	1750	2100
	1940	2095	1800	2057	1920	2085	1950	2100
	2140	2095	2000	2057	2120	2085	2150	2100

Standard measurements in millimeters. Possibility of other measurements on request.

