

# Basic meter door

1 Leaf Meter Door. Reversible E12 60



Galvanised



Pre-lacquered BL-Andreu



Pre-lacquered GR-Andreu



PVC Film Chestnut



PVC Film Old Oak



Stainless steel AISI 430 / 304 / 316



Powder coated



# Basic meter door

El<sub>2</sub> 60

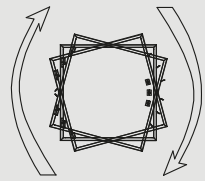
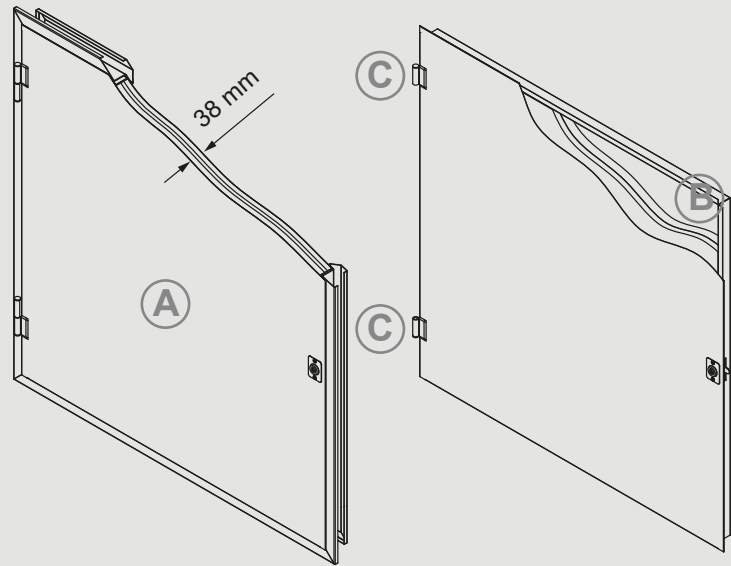
## STRUCTURE

Two 0.5mm galvanized steel sheets assembled without welding (A).

Leaf thickness: 38mm.

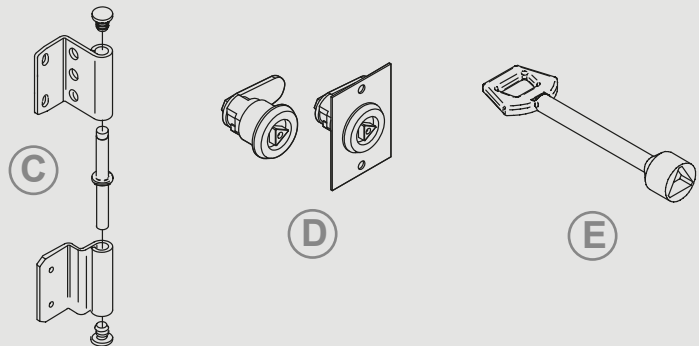
Inner chamber: combination of fire and thermal insulation materials (B).

2 double galvanized steel blade hinges (C).

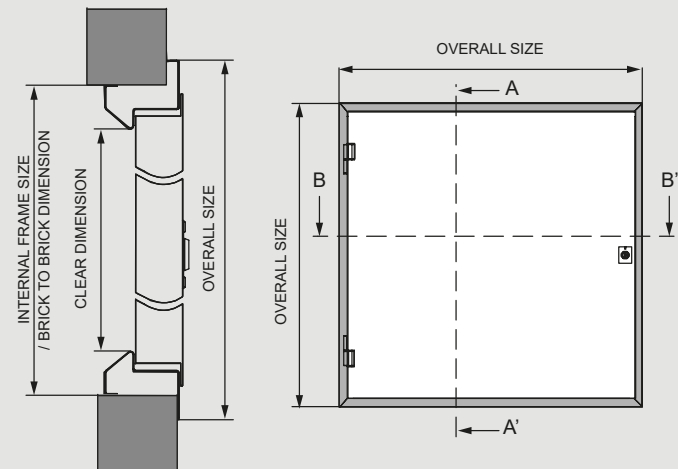


## LOCKING AND DRIVING SYSTEM

Triangular closing with cam lock mechanism (D), driven by a triangular access key (E).



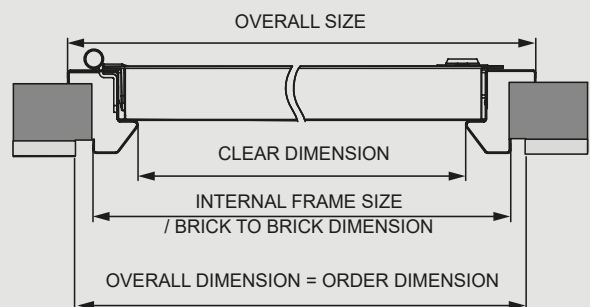
SECTION A-A'



SECTION B-B'



CORNER FRAME



## FRAME

CS4 corner frame.