

# Turia meter door

Fire Door EI<sub>2</sub> 30-60-90-120



Galvanised



Pre-lacquered BL-Andreu



Pre-lacquered GR-Andreu



PVC Film Chestnut



PVC Film Old Oak



Stainless steel AISI 430 / 304 / 316



Powder coated



Meter Door Turia 1/2  
Ed. 02/10/20



# Turia meter door

## 1 and 2 Leaf Meter Door

El<sub>2</sub> 30-60-90-120

### STRUCTURE

It has the same technical characteristics as the Turia door except for:

- CS5 corner frame closed on all 4 sides.
- Hinges according to the dimensions (A).
- Overlap on all 4 sides to fit the closed frame.

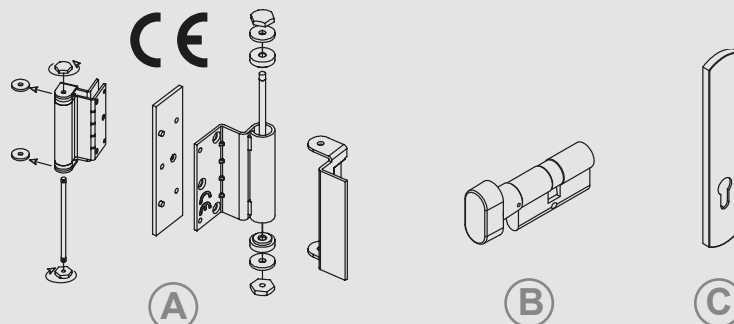
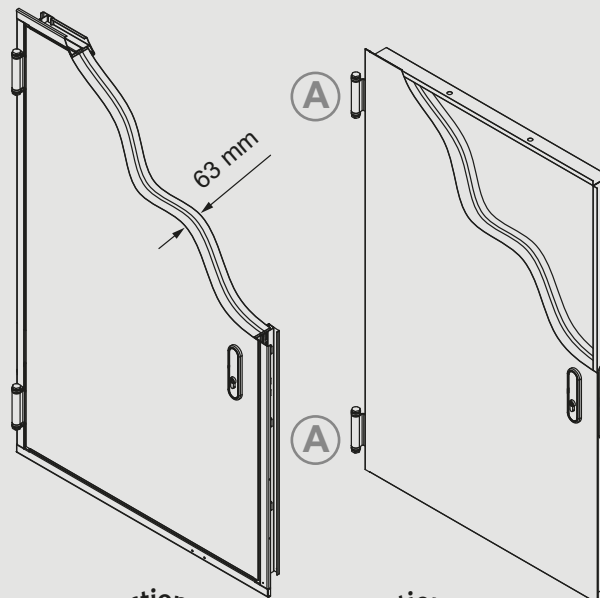
Incorporates intumescent seal.

Optionally: Rubber seal.

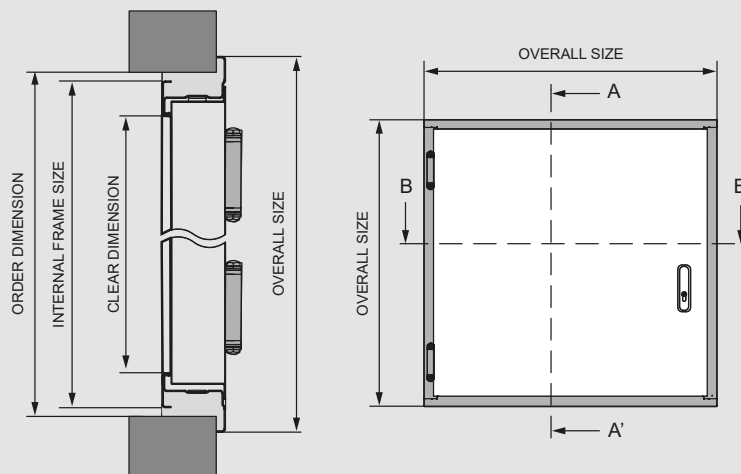
### LOCKING AND DRIVING SYSTEM

Brass cylinder with 35x35 knob (B).

Black nylon escutcheon shield on both sides (C).



SECTION A-A'



SECTION B-B'

