

Sigma

Fire Door EI₂ 60-90-120 Paneled



Formica catalogue

Powder coated

Powder coated frame

Stainless steel frame

Finishes for the laminated panel, check the Formica Door Collection range.





Sigma

1 and 2 Leaf Door. Paneled.

El₂ 60-90-120

STRUCTURE

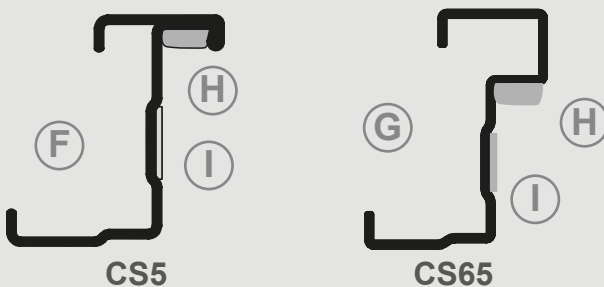
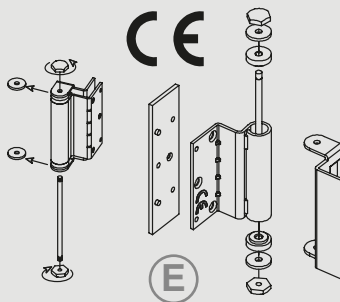
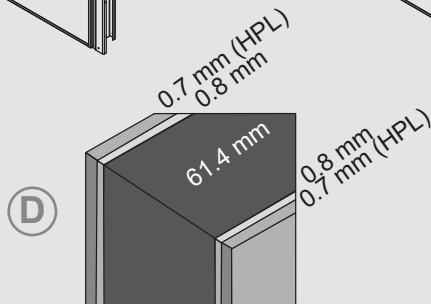
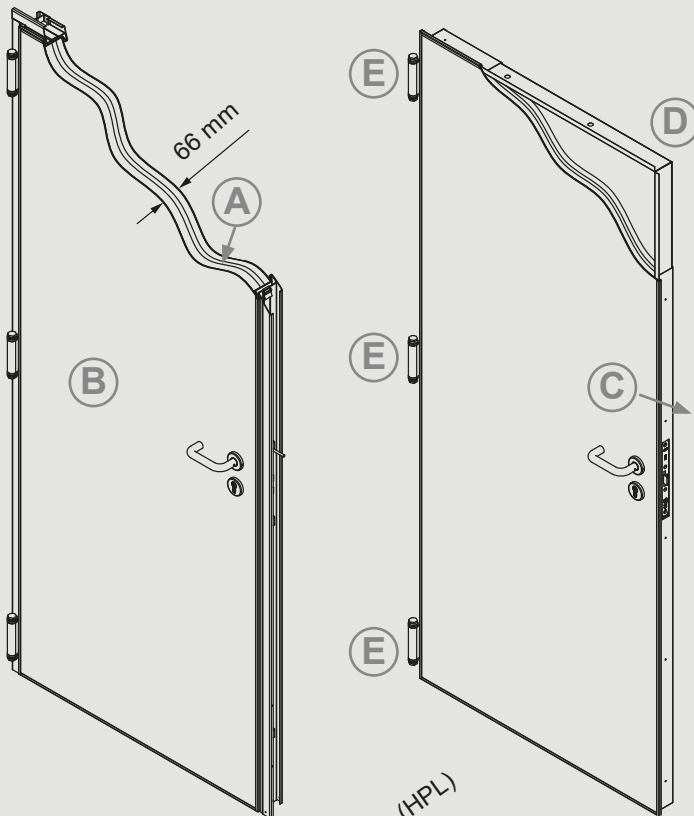
Two galvanized steel sheets with 0.8mm thick assembled without welding (A), coated with two 0.7mm thick High Pressure Layered Laminated Panels (B).

The paneled set is coated perimetrically with a 0.8mm thick galvanized or stainless steel profile (C).

Leaf thickness: 66mm.

Inner chamber: combination of fire and insulation materials (D).

3 double blade galvanized or stainless steel hinges with CE marking (E).



FRAME

CS5 corner frame (F).

CS65 stainless steel corner frame (G).

Incorporate:

- Rubber seal (H).
- Intumescent seal (I).

LOCKING AND DRIVING SYSTEM

Reversible lock with stainless steel CE marking embedded in the leaf, with a 1-point lock (A).

Nickel cylinder 40x50 (single leaf) or 45x45 (double leaf). In the case of stainless steel Sigma Inox, nickel cylinder 35x40 (single leaf) or 35x35 (double leaf) (B).

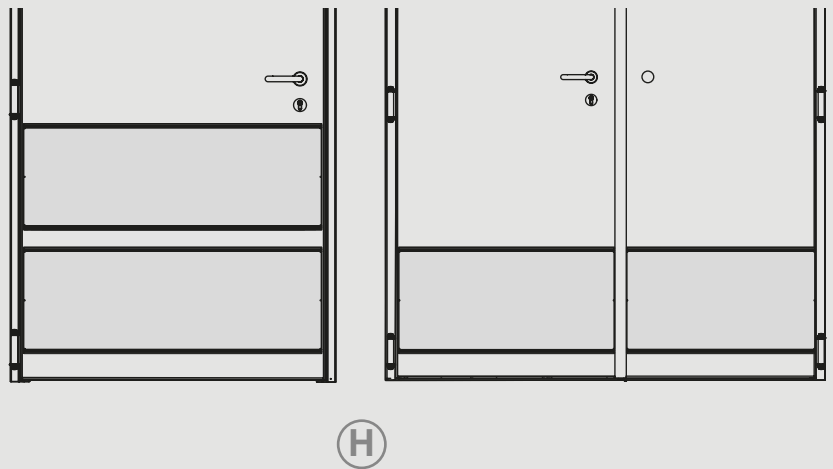
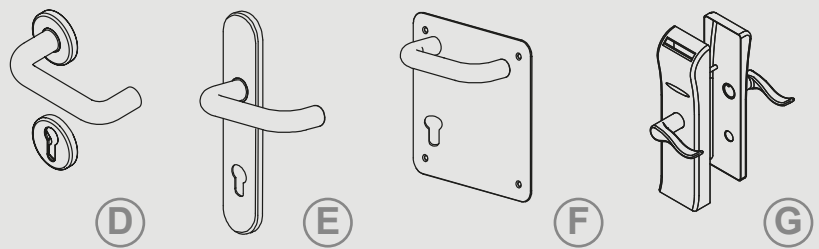
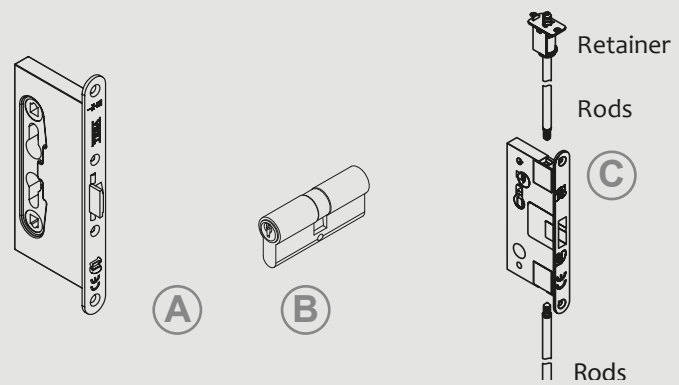
In the double leaf it incorporates a self-counter lock closing mechanism in the inactive leaf (C).

The stainless steel lever handle varies according to the use:

- Offices: Set rosette handle + rosette with stainless steel escutcheon (D) or set shield + handle with stainless steel escutcheon (E).
- Hospitals / Educational: Set square stainless steel plate + handle with stainless steel escutcheon (F).
- Hotels: Prepared hotel card-type lock (G).

STAINLESS STEEL BASEBOARD

Optionally: stainless steel baseboard (single or double leaf) (H).



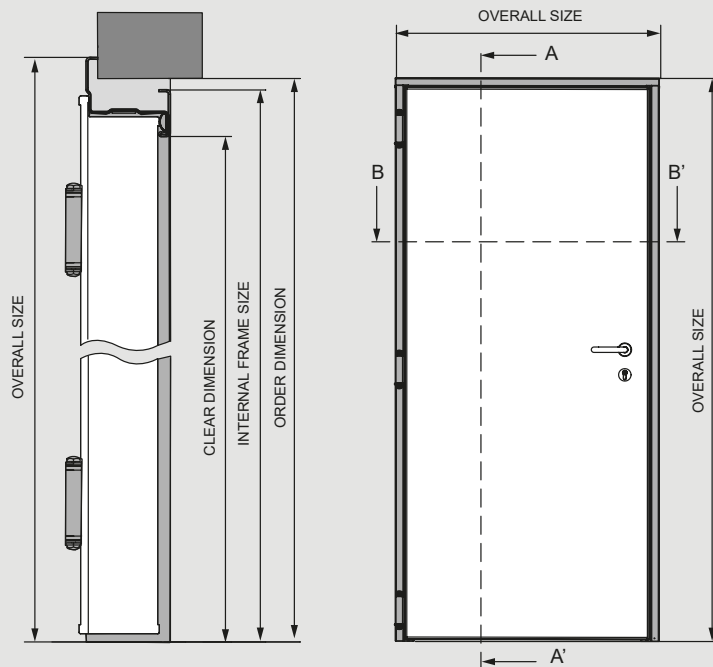
MICROBIAL ACTIVITY

Anti-microbial activity test in the HPL Formica sheets.

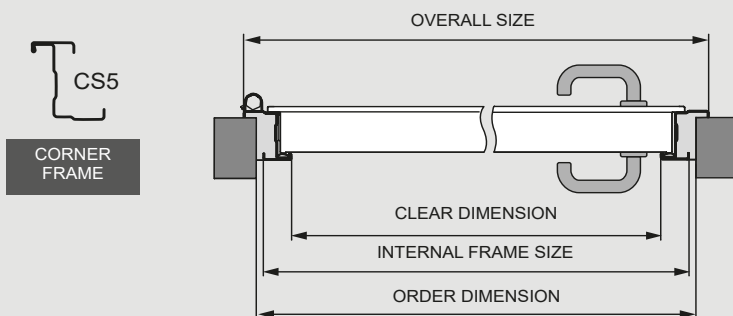
Organisms test	cfu*/ Control Surface 0 hours	cfu*/ Control Surface 24 hours	cfu*/ Control Surface 24 hours	Reduction [log]	Reduction [%]
Staphylococcus aureus	8.17×10^6	1.06×10^6	< 100	4.03	> 99.99
Escherichia coli	9.93×10^6	1.66×10^6	< 100	4.22	> 99.99
Candida albicans	6.30×10^6	4.27×10^4	< 100	2.63	> 99.77
Aspergillus brasiliensis	4.33×10^4	2.25×10^5	< 100	3.35	> 99.96

MEASUREMENTS ONE LEAF

SECTION A-A'



SECTION B-B'

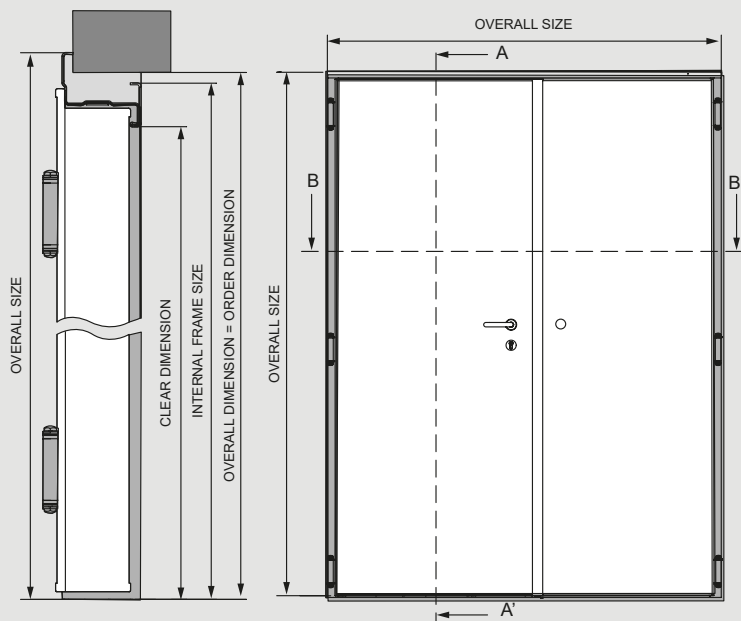


Frame	Order Size		Clear Opening		Internal Frame		Overall (Ext. Frame)	
	Width	Height	Width	Height	Width	Height	Width	Height
CS5	800	2050	700	2000	780	2040	836	2068
	800	2100	700	2050	780	2090	836	2118
	800	2150	700	2100	780	2140	836	2168
	900	2050	800	2000	880	2040	936	2068
	900	2100	800	2050	880	2090	936	2118
	900	2150	800	2100	880	2140	936	2168
	1000	2050	900	2000	980	2040	1036	2068
	1000	2100	900	2050	980	2090	1036	2118
	1000	2150	900	2100	980	2140	1036	2168
	1100	2050	1000	2000	1080	2040	1136	2068
	1100	2100	1000	2050	1080	2118	1136	2168
	1100	2150	1000	2100	1080	2140	1136	2168
	1200	2050	1100	2000	1180	2040	1236	2068
	1200	2100	1100	2050	1180	2090	1236	2118
1200	2150	1100	2100	1180	2140	1236	2168	

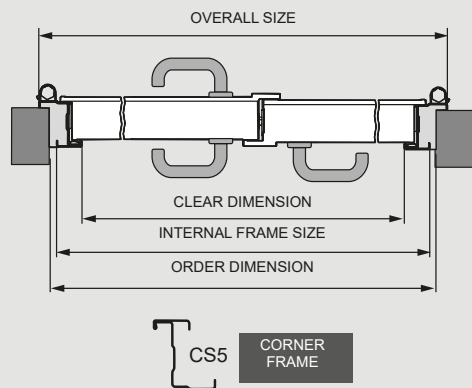
Standard measurements in millimeters. Possibility of other measurements on request.

MEASUREMENTS DOUBLE LEAF

SECTION A-A'



SECTION B-B'



Frame	Order Size		Clear Opening		Internal Frame		Overall (Ext. Frame)	
	Width	Height	Width	Height	Width	Height	Width	Height
CS5	1200	2050	1100	2000	1180	2040	1236	2068
	1200	2100	1100	2050	1180	2090	1236	2118
	1200	2150	1100	2100	1180	2140	1236	2168
	1300	2050	1200	2000	1280	2040	1336	2068
	1300	2100	1200	2050	1280	2090	1336	2118
	1300	2150	1200	2100	1280	2140	1336	2168
	1400	2050	1300	2000	1380	2040	1436	2068
	1400	2100	1300	2050	1380	2090	1436	2118
	1400	2150	1300	2100	1380	2140	1436	2168
	1500	2050	1400	2000	1480	2040	1536	2068
	1500	2100	1400	2050	1480	2090	1536	2118
	1500	2150	1400	2100	1480	2140	1536	2168
	1600	2050	1500	2000	1580	2040	1636	2068
	1600	2100	1500	2050	1580	2090	1636	2118
	1600	2150	1500	2100	1580	2140	1636	2168
	1700	2050	1600	2000	1680	2040	1736	2068
	1700	2100	1600	2050	1680	2090	1736	2118
	1700	2150	1600	2100	1680	2140	1736	2168
	1800	2050	1700	2000	1780	2040	1836	2068
	1800	2100	1700	2050	1780	2090	1836	2118
	1800	2150	1700	2100	1780	2140	1836	2168
	1900	2050	1800	2000	1880	2040	1936	2068
	1900	2100	1800	2050	1880	2090	1936	2118
	1900	2150	1800	2100	1880	2140	1936	2168
2000	2050	1900	2000	1980	2040	2036	2068	
2000	2100	1900	2050	1980	2090	2036	2118	
2000	2150	1900	2100	1980	2140	2036	2168	
2100	2050	2000	2000	2080	2040	2136	2068	
2100	2100	2000	2050	2040	2090	2136	2118	
2100	2150	2000	2100	2080	2140	2136	2168	
2200	2050	2100	2000	2180	2040	2236	2068	
2200	2100	2100	2050	2180	2090	2236	2118	
2200	2150	2100	2100	2180	2140	2236	2168	

Standard measurements in millimeters. Possibility of other measurements on request.

