



Galvanized



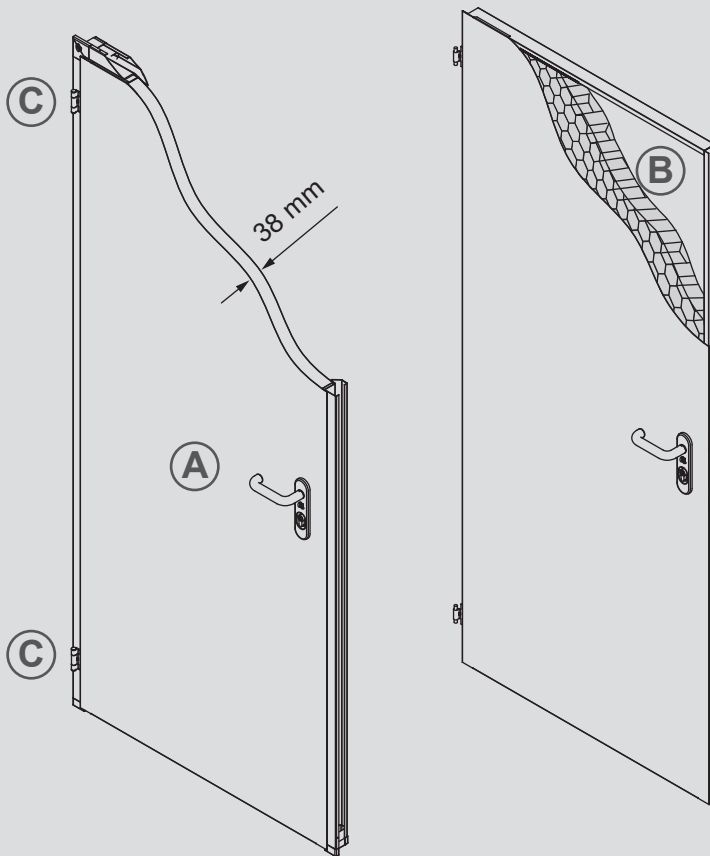
Pre-lacquered BL-Andreu





# Smart

## 1 Leaf Door



### STRUCTURE

Two 0.5mm galvanized steel sheets assembled without welding (A).

Leaf thickness: 38mm.

Inner chamber: honeycomb cardboard (B).

Two hinges in incorporated anti-lever bolt (C).

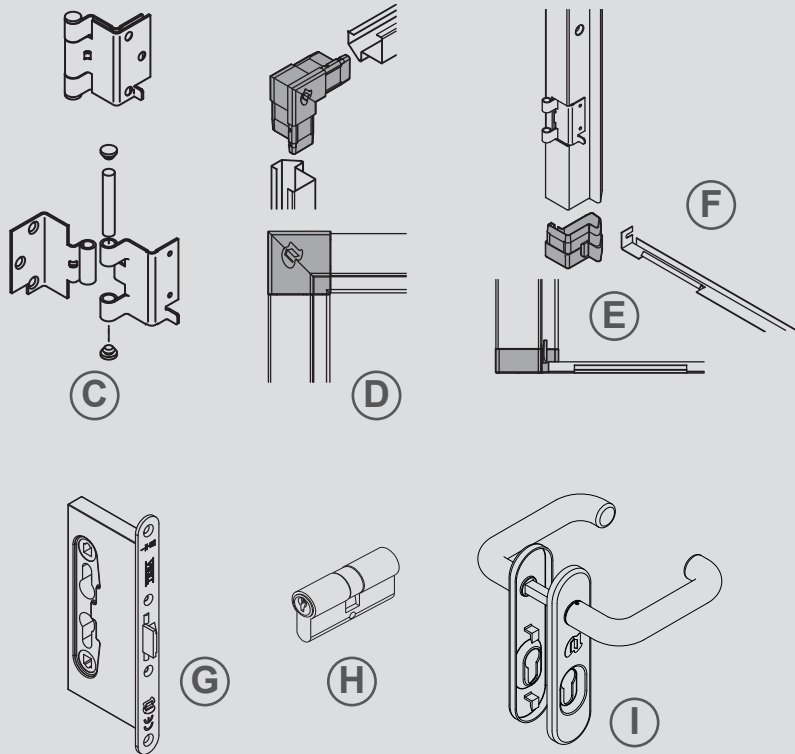
### FRAME

CS4 type corner frame.

Upper corner (D).

Door heel (E).

Lower bar (F).



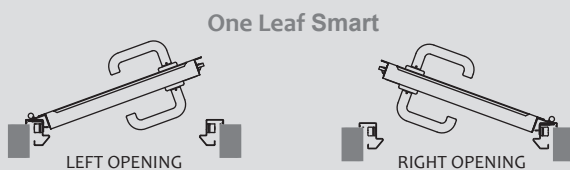
### LOCKING AND OPERATING SYSTEM

Reversible steel mortice lock with a 9mm spindle (G).

Brass cylinder 30x30 (H).

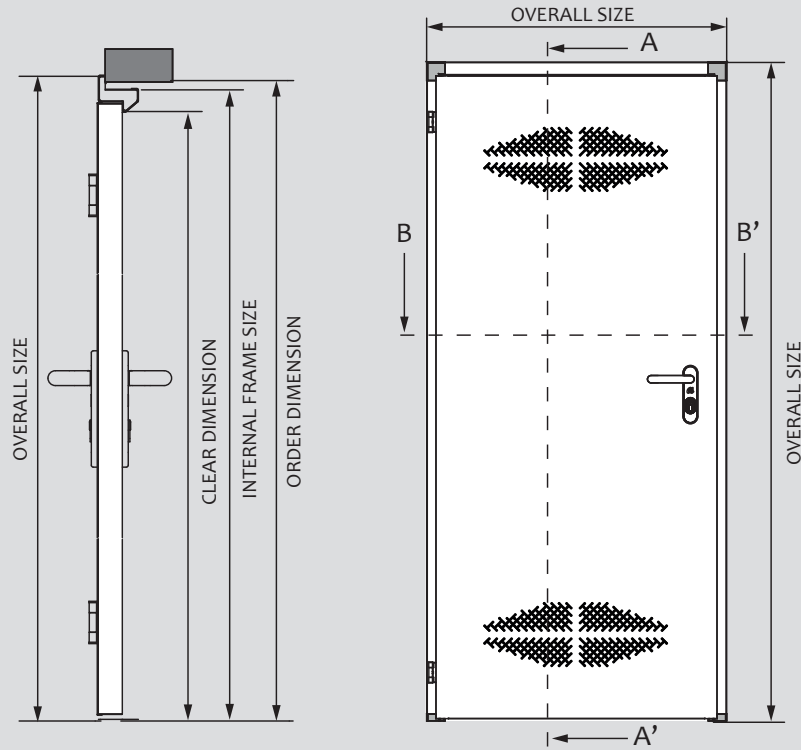
Shield + crank set with black nylon keyhole, with 9mm square (I).

### OPENING SENSES

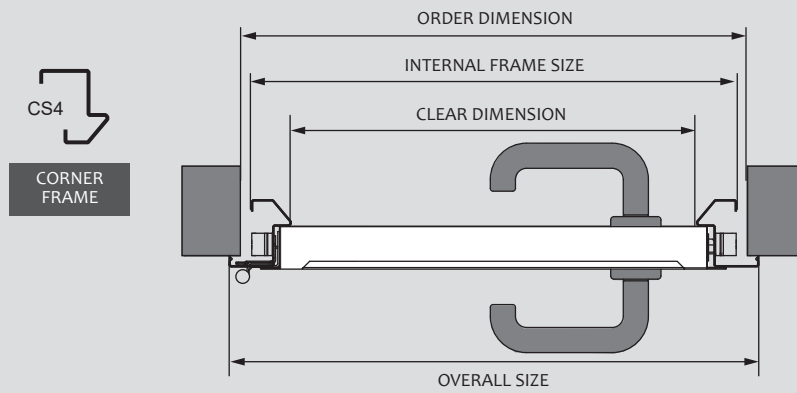


# MEASUREMENTS ONE LEAF

## SECTION A-A'



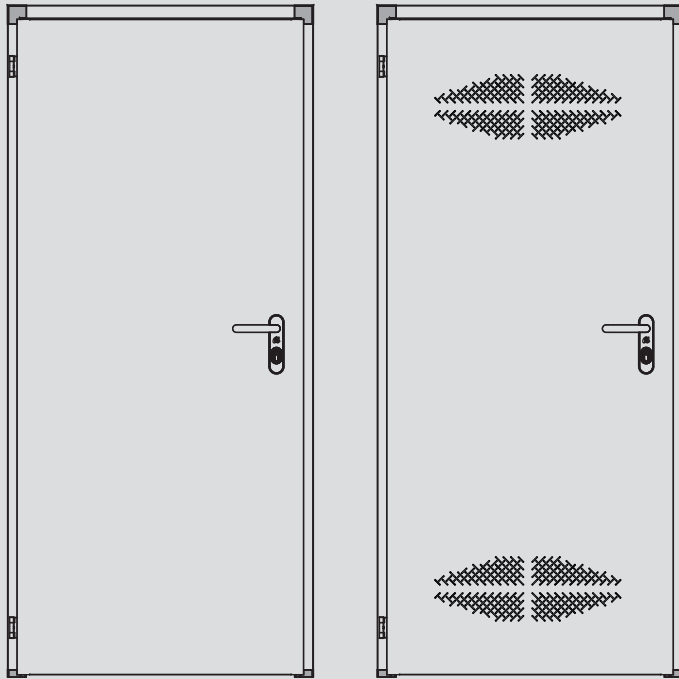
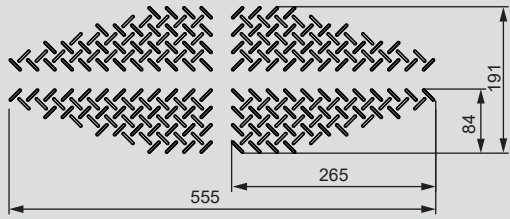
## SECTION B-B'



Frame	Order Size		Clear Opening		Internal Frame		Overall (Ext. Frame)	
	Width	Height	Width	Height	Width	Height	Width	Height
CS4	690	2045	600	2000	670	2035	710	2055
	790	2045	700	2000	770	2035	810	2055
	890	2045	800	2000	870	2035	910	2055
	990	2045	900	2000	970	2035	1010	2055
	1090	2045	1000	2000	1070	2035	1110	2055

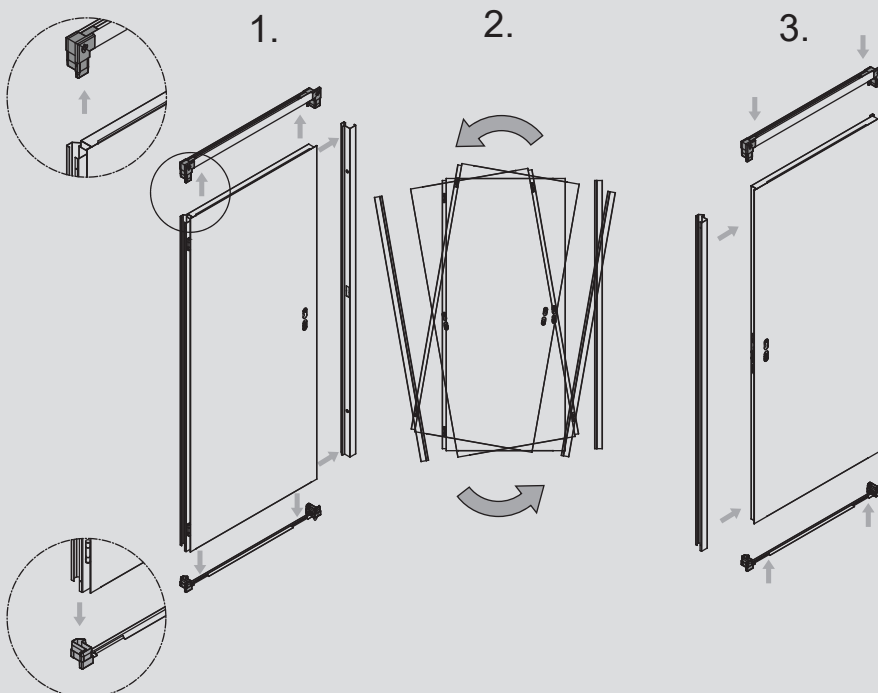
Standard measurements in millimeters.





## VENTILATION

Smart model door might be equipped with louvers with cross shape.



## REVERSIBILITY

Possibility of changing hands through a simple process.

