

Turia RX

1 and 2 Leaf Door

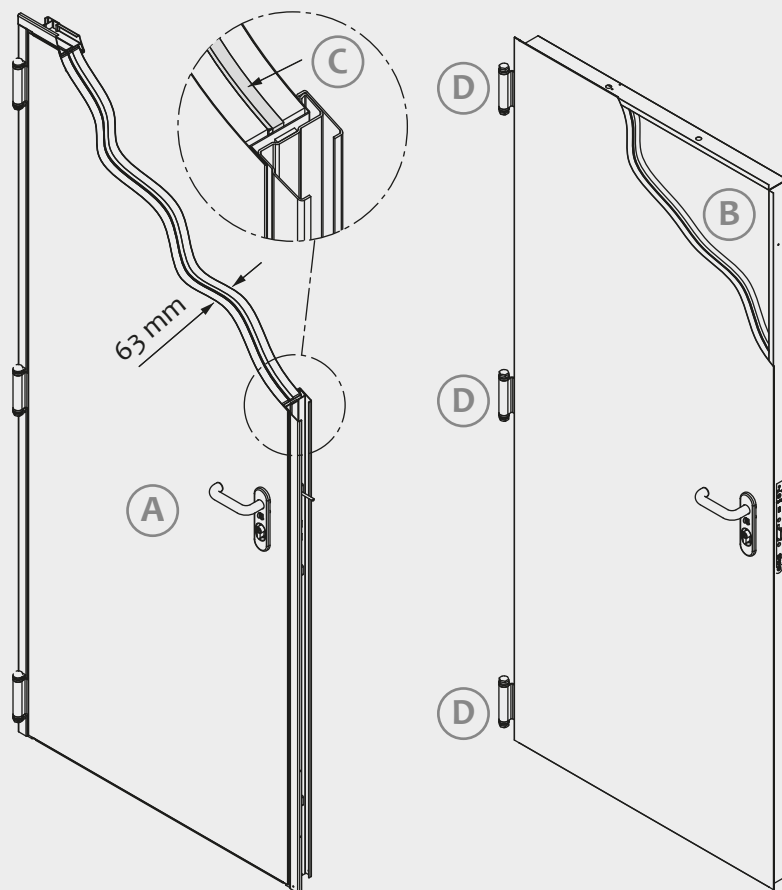
STRUCTURE

Two steel sheets of galvanized anti finger protection with 0.8mm thickness assembled without welding (A).

Door leaf thickness: 63mm.

Filling: combination of fire retardant and thermal insulation materials (B) and in the center a 2mm thick lead sheet (C).

CE marked hinges (D).



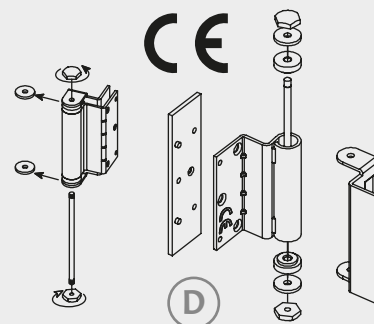
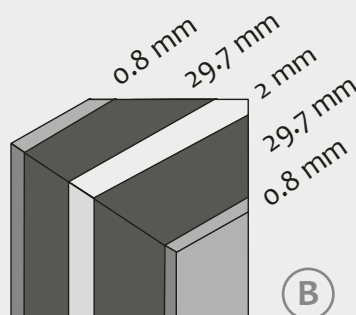
FRAME

Corner frame CS5 (E).

Intumescent seal (F).

Options:

- Rubber seal (G).
- CS5 frame filled with 2mm thickness lead (H).



LOCKING & OPENING SYSTEM

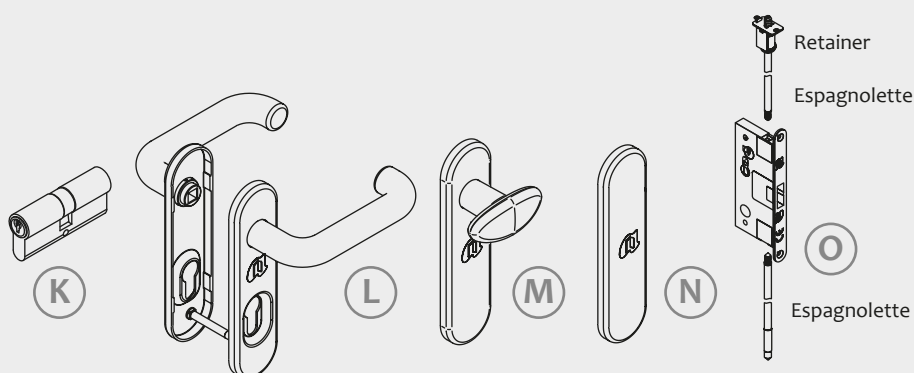
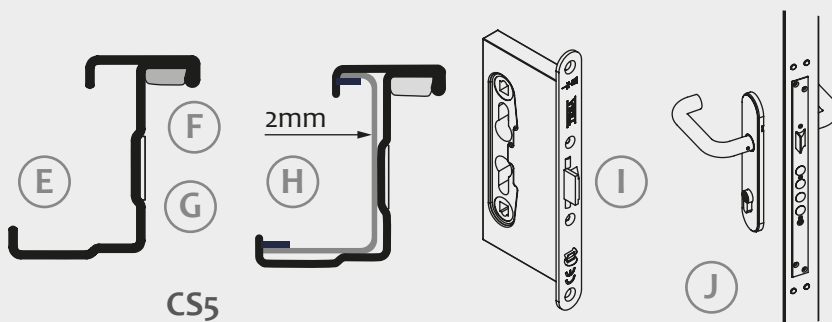
CE marked reversible mortice lock with galvanized steel box and tined forehead, with 1 point locking system (I) and optionally 3 point locking system certified for 1 and 2 leaves in 30, 60 and 90 (J) 35x35 brass cylinder (K).

Set handle + coverplate with keyhole in black nylon (L).

In double-leaf model: In the active leaf, both sides, set handle + coverplate with keyhole (L).

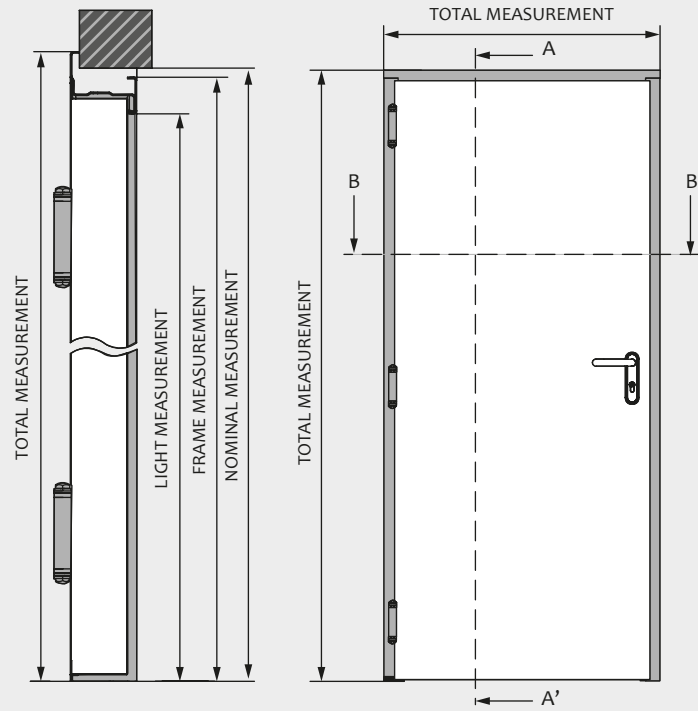
In the inactive leaf, pan side: coverplate + knob without keyhole (M); and in the lid side: blind coverplate (N).

The double leaf has an automatic closing mechanism in the inactive leaf (O).

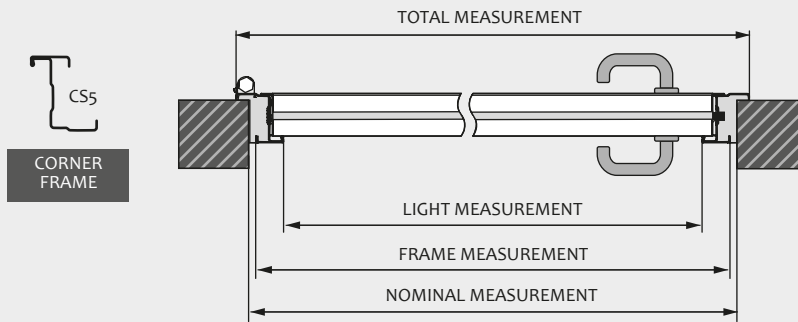


MEASUREMENTS ONE LEAF

SECTION A-A'



SECTION B-B'



Model		Nominal Measurement		Light Measurement		Frame Measurement		Total Measurement		
		Width	Height	Width	Height	Width	Height	Width	Height	
CS5 frame										
TUX 900 x	2050	900	2050	800	2000	880	2040	936	2068	
	2100		2100				2050		2090	2118
	2150		2150				2100		2140	2168
TUX 1000 x	2050	1000	2050	900	2000	980	2040	1036	2068	
	2100		2100				2050		2090	2118
	2150		2150				2100		2140	2168
TUX 1100 x	2050	1100	2050	1000	2000	1080	2040	1136	2068	
	2100		2100				2050		2090	2118
	2150		2150				2100		2140	2168
TUX 1200 x	2050	1200	2050	1100	2000	1180	2040	1236	2068	
	2100		2100				2050		2090	2118
	2150		2150				2100		2140	2168

Standard measurements in millimeters. Possibility of other measurements on request.
Available in double leaf.