

Turia TDO

Fire Door EI₂ 60-90 Two Direction Opening



Pre-lacquered BL-Andreu

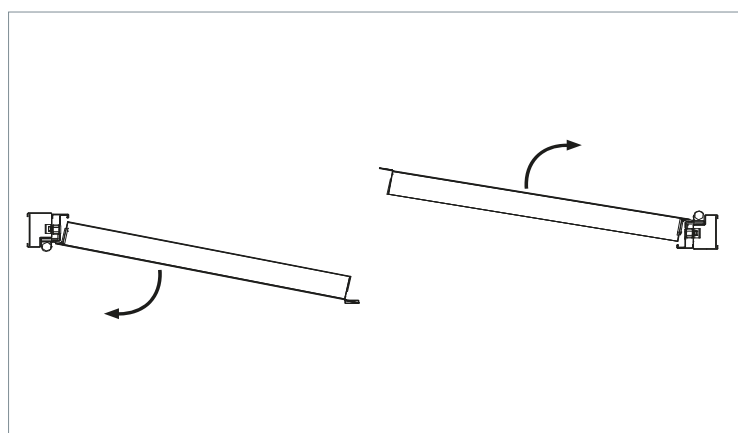


Pre-lacquered GR-Andreu



Powder coated





Turia TDO

2 Leaf Door

El₂ 60 - 90

STRUCTURE

Two 0.8mm sheets of galvanized steel, assembled without welding (A).

Leaf thickness: 63mm.

Inner chamber: combination of fire and thermal insulation materials (B).

3 hinges of their own design of galvanized steel with CE marking (C).

FRAME

CS5 Frame with tubular frame (D).

Incorporates intumescent seal attached to the frame in its entire perimeter (E).

LOCKING AND DRIVING SYSTEM

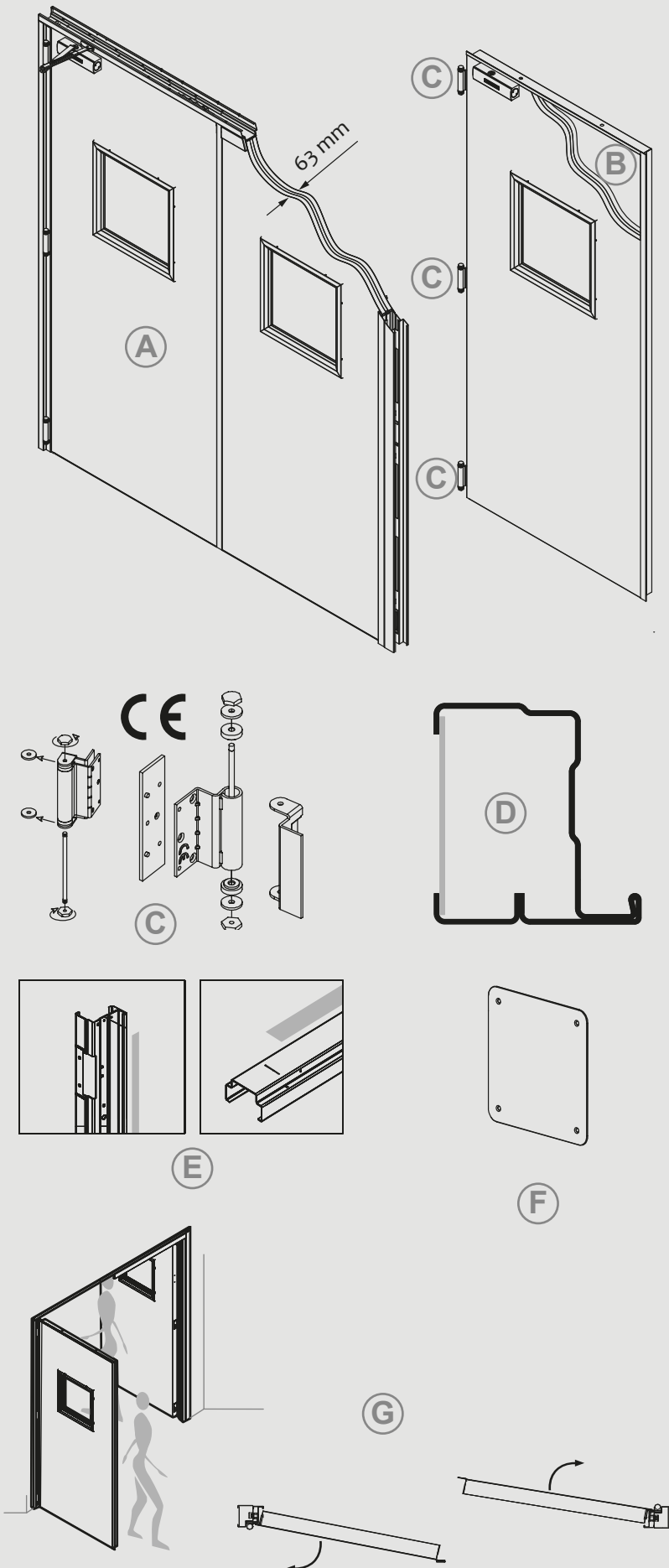
It does not need a lever handle, lock or closing selector.

Optionally: square steel plate (F).

Each of the leaves open in the direction of the escape route (G).

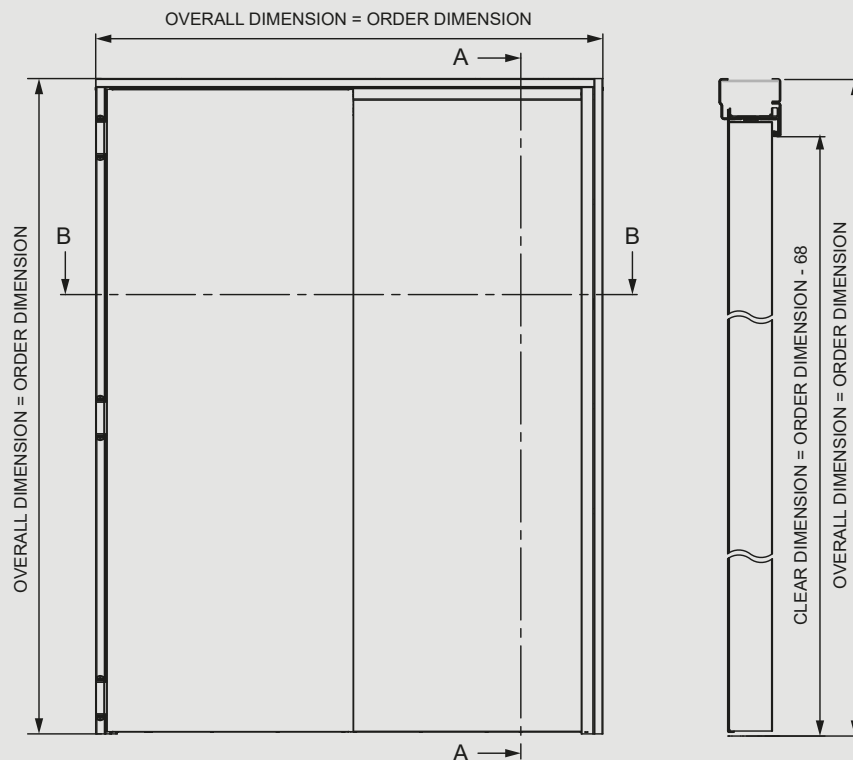
Mandatory installation of door closers on each leaf (CTE).

Optionally: electromagnets and / or vision panels.

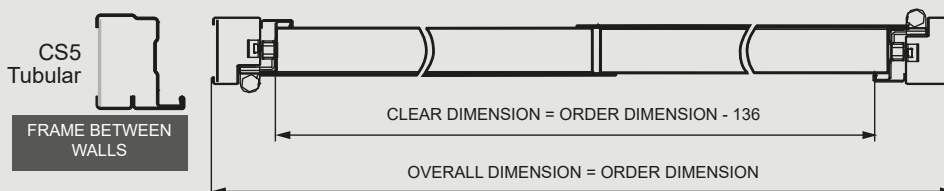


MEASUREMENTS DOUBLE LEAF

SECTION A-A'



SECTION B-B'



Frame	Order Size		Clear Opening		Overall (Ext. Frame)	
	Width	Height	Width	Height	Width	Height
CS5 Tubular	1536	2068	1400	2000	1536	2068
	1636	2068	1500	2000	1636	2068
	1736	2068	1600	2000	1736	2068
	1836	2068	1700	2000	1836	2068
	1936	2068	1800	2000	1936	2068
	2036	2068	1900	2000	2036	2068
	2136	2068	2000	2000	2136	2068
	2236	2068	2100	2000	2236	2068
	2236	2068	2000	2000	2236	2068

Standard measurements in millimeters. Possibility of other measurements on request.